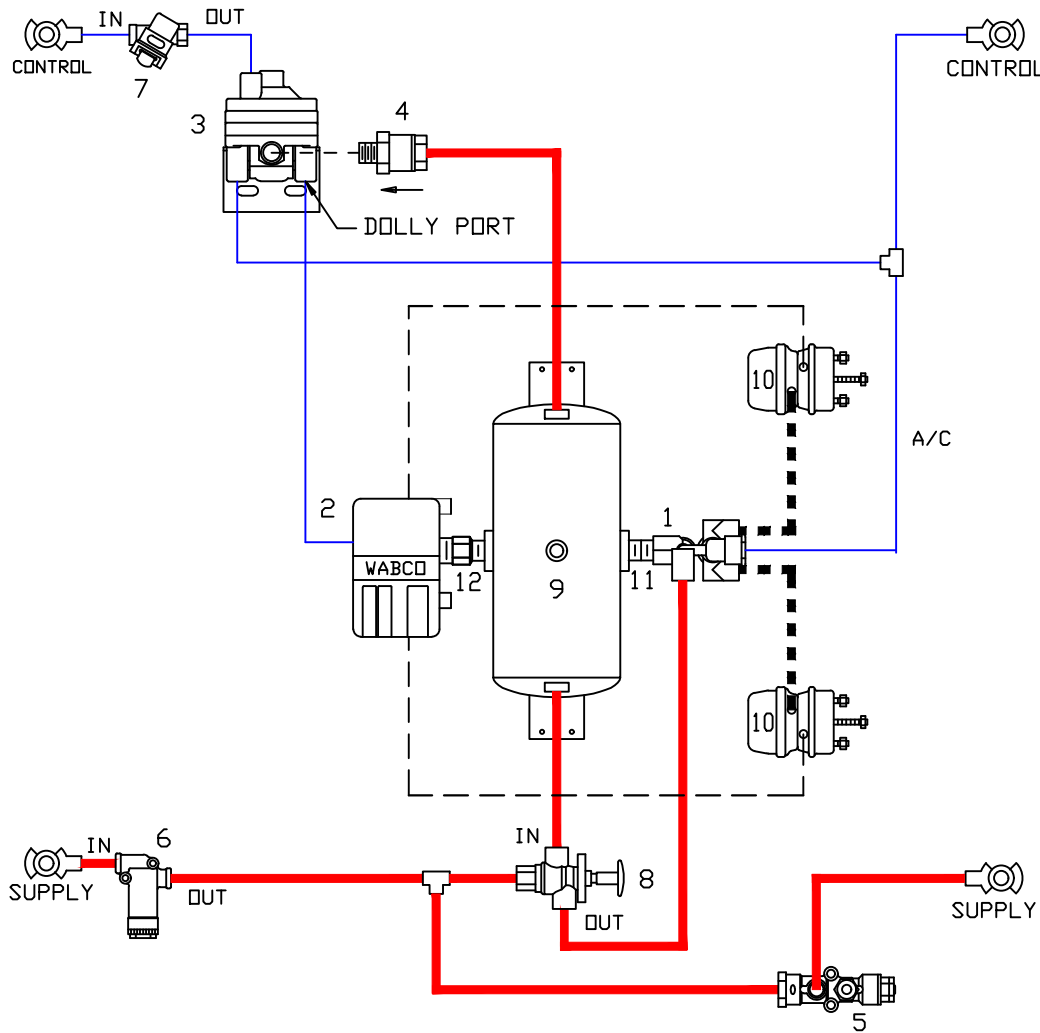




Sealco Commercial Vehicle Products

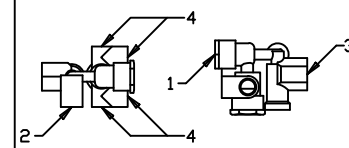
602-253-1007 fax 800/222-2334 www.sealcocvp.com



NO.	DESCRIPTION
1.	SEALCO NO. 110500 SPRING BRAKE CONTROL VALVE
2.	ZF WABCO NO. 400 500 320 0 iABS
3.	SEALCO NO. 110570 DOLLY CONTROL LINE VALVE
4.	SEALCO NO. 10200-1/2 ONE-WAY CHECK VALVE
5.	SEALCO NO. 110474 ANTI BACK CHARGE VALVE
6.	SEALCO NO. 2550 LINE FILTER
7.	ZF WABCO NO. 432 500 005 0 CONTROL LINE FILTER
8.	SEALCO NO. 17600B EMERGENCY RELEASE VALVE
9.	RESERVOIR - VOLUME TO BE AS PER FMVSS 121
10.	SPRING BRAKE AND SERVICE BRAKE CHAMBER
11.	616 1/2" X 3/4" NIPPLE OR 6002 1/2" X 1/2" NIPPLE
12.	616 1/2" X 3/4" NIPPLE OR 6006 3/4" X 3/4" NIPPLE

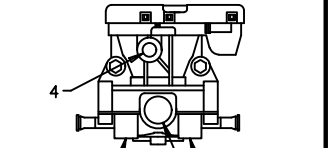
— CONTROL LINE (BLUE-3/8")  
— SUPPLY LINE (RED-1/2")  
 - - - - - SPRING BRAKE  
 - - - - - SERVICE BRAKE  
 A/C ANTI COMPOUNDING  
 PLUG ALL UNUSED PORTS

SPRING BRAKE CONTROL VALVE



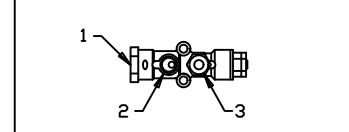
- SEALCO NO. 110500
- CONTROL PORT (1)-3/8 N. P. T.
  - SUPPLY PORT (2)-3/8 N. P. T.
  - RESERVOIR PORT (3)-1/2 N. P. T.
  - DELIVERY PORT (4)-3/8 N. P. T.

iABS 2S/1M



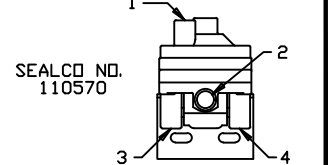
- ZF WABCO NO. 400 500 320 0
- SUPPLY/RES PORT (2)-3/4 N. P. T.
  - DELIVERY PORT (4)-3/8 N. P. T.
  - CONTROL PORT (1)-3/8 N. P. T.
  - DELIVERY PORT (2)-3/8 N. P. T.

ANTI BACK CHARGE VALVE



- SEALCO NO. 110474
- SUPPLY PORT IN (1)-3/8 N. P. T.
  - SUPPLY PORT OUT (2)-3/8 N. P. T.
  - EXHAUST PORT (3)-3/8 N. P. T.

DOLLY CONTROL LINE VALVE



- SEALCO NO. 110570
- CONTROL PORT (1)-3/8 N. P. T.
  - RESERVOIR PORT (2)-1/2 N. P. T.
  - DELIVERY PORT (3)-3/8 N. P. T.
  - DOLLY PORT (4)-3/8 N. P. T.

VEHICLE COMPLIANCE AND CERTIFICATION WITH ALL APPLICABLE FEDERAL, STATE & PROVINCIAL REGULATIONS INCLUDING FMVSS 121 & CMVSS 121 IS SOLELY THE RESPONSIBILITY OF THE VEHICLE MANUFACTURER

AIR SYSTEM DIAGRAM REQUESTED BY:

SINGLE AXLE DOLLY

DR:	CH:	DATE:	DRAWING NO:
MG	FF	1-22-2024	P-8156