



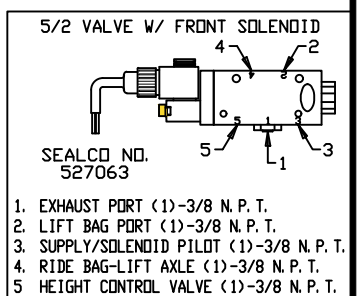
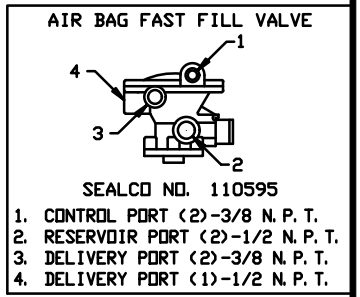
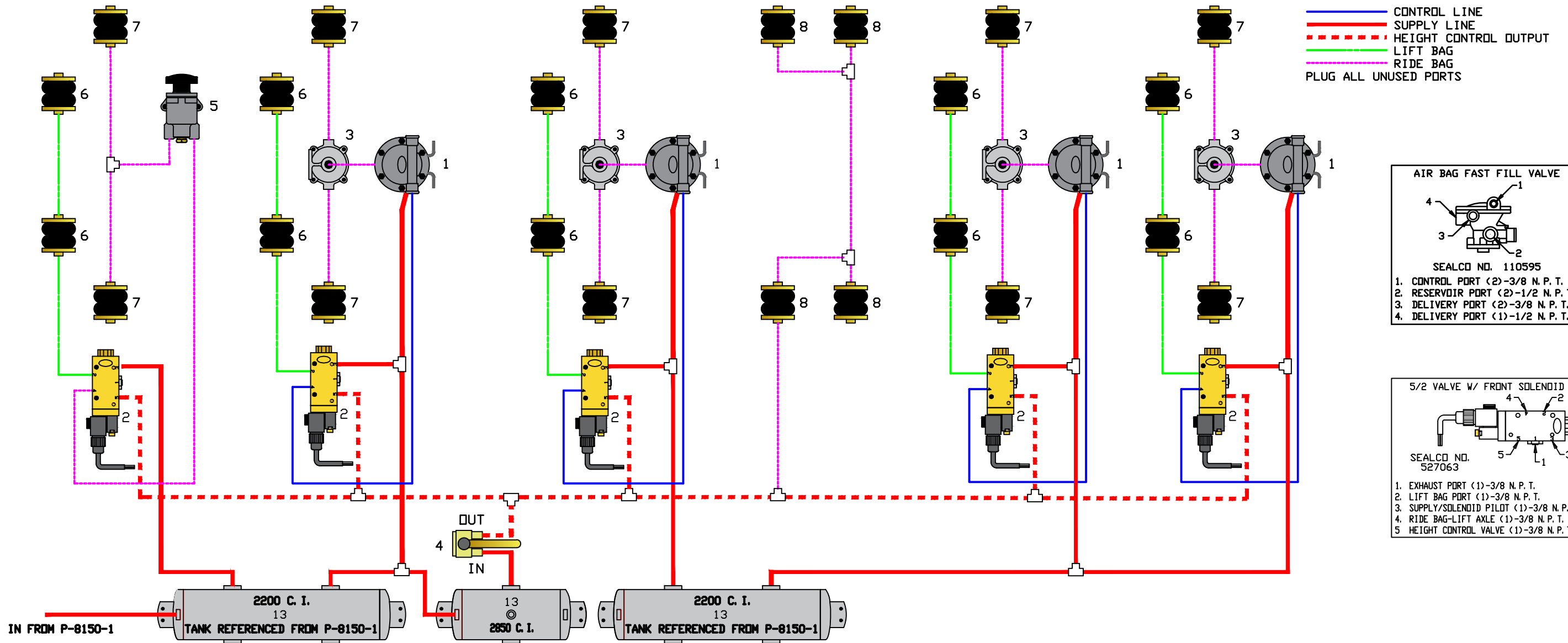
Sealco Commercial Vehicle Products

602-253-1007

fax 800/222-2334

www.sealcovp.com

| NO. | DESCRIPTION |
|-----|--|
| 1. | SEALCO NO. 110595 AIR BAG FAST FILL VALVE |
| 2. | SEALCO NO. 527063 SOLENOID OPERATED 5-PORT 2-WAY VALVE |
| 3. | SEALCO NO. 2000D-1/2 QUICK RELEASE VALVE |
| 4. | HEIGHT CONTROL VALVE |
| 5. | REGULATOR |
| 6. | LIFT BAG |
| 7. | LIFT AXLE RIDE BAG |
| 8. | STATIONARY AXLE RIDE BAG |
| 9. | RESERVOIR - VOLUME TO BE AS PER FMVSS-121 |



VEHICLE COMPLIANCE & CERTIFICATION WITH ALL APPLICABLE FEDERAL, STATE & PROVINCIAL REGULATIONS INCLUDING FMVSS 121 AND CMVSS 121 IS SOLELY THE RESPONSIBILITY OF THE VEHICLE MANUFACTURER

AIR SYSTEM DIAGRAM REQUESTED BY: --

| | | | |
|--|--------|-----------------|------------------|
| 7 AXLE TRAILER W/ 5 LIFT AXLES SUSPENSION SYSTEM ONLY | | | |
| DR: MG | CH: ZY | DATE: 12-7-2023 | JOB NO: P-8150-2 |