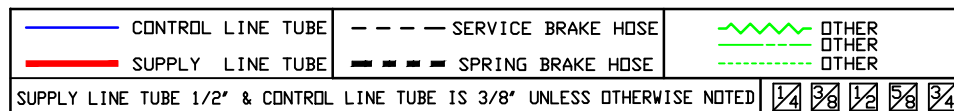
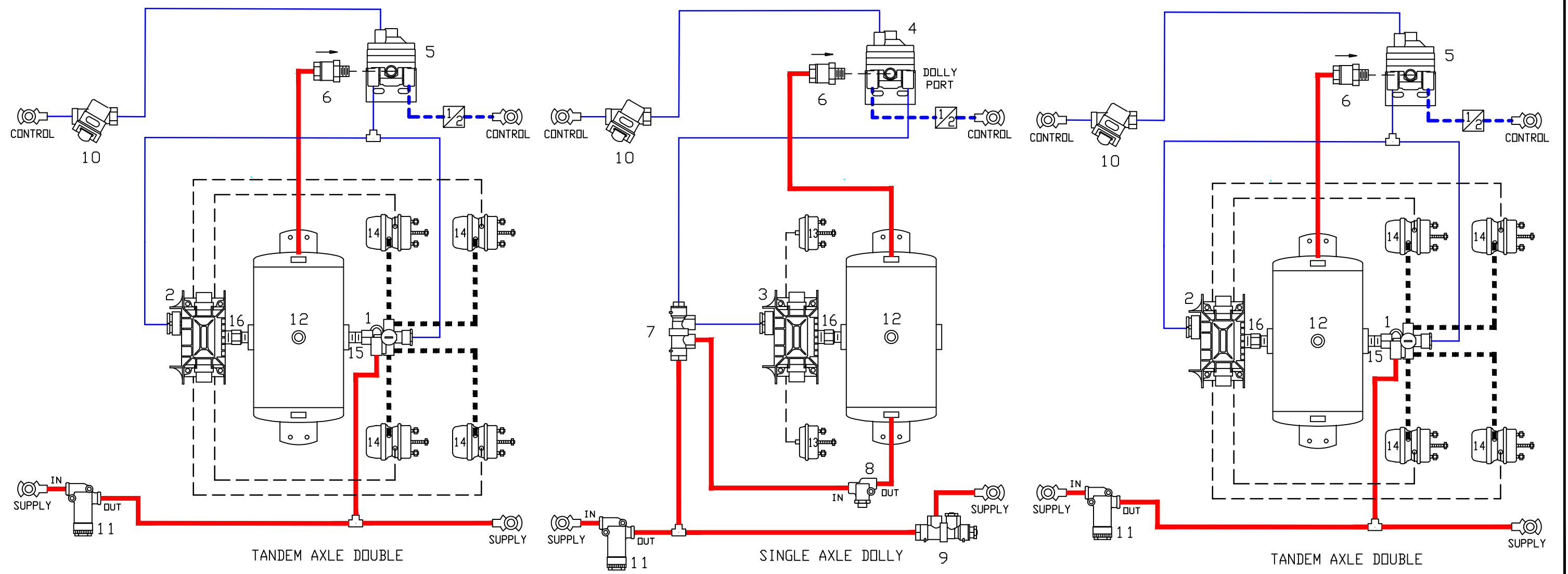
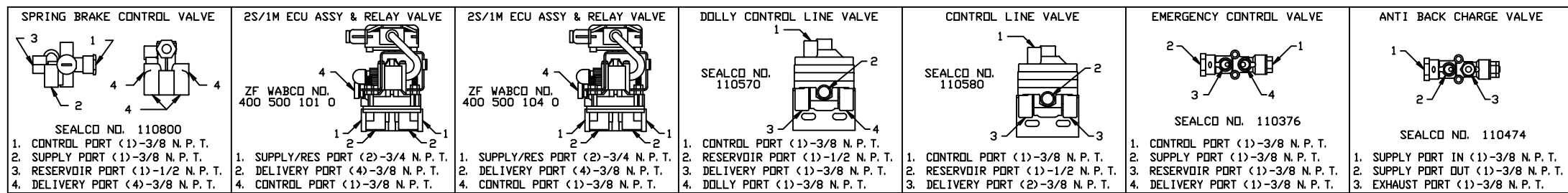




Sealco Commercial Vehicle Products
602-253-1007 fax 800/222-2334 www.sealcocvp.com



NO.	DESCRIPTION
1	SEALCO NO. 110800 SPRING BRAKE VALVE
2	ZF WABCO NO. 400 500 101 0 ECU ASSEMBLY AND RELAY VALVE
3	ZF WABCO NO. 400 500 104 0 ECU ASSEMBLY AND RELAY VALVE
4	SEALCO NO. 110570 DOLLY CONTROL LINE VALVE
5	SEALCO NO. 110580 CONTROL LINE VALVE
6	SEALCO NO. 10200-1/2 ONE-WAY CHECK VALVE
7	SEALCO NO. 110376 EMERGENCY CONTROL VALVE
8	SEALCO NO. 110257 EMERGENCY BRAKE PRESSURE PROTECTION
9	SEALCO NO. 110474 ANTI BACK CHARGE VALVE
10	ZF WABCO NO. 432 500 005 0 CONTROL LINE FILTER
11	SEALCO NO. 2550 LINE FILTER
12	RESERVOIR
13	SERVICE BRAKE CHAMBER
14	SPRING BRAKE AND SERVICE BRAKE CHAMBER
15	SEALCO NO. 616 1/2" X 3/4" NIPPLE OR 6002 1/2" X 3/4" NIPPLE
16	SEALCO NO. 616 1/2" X 3/4" NIPPLE OR 6006 3/4" X 3/4" NIPPLE



IT IS THE RESPONSIBILITY OF THE VEHICLE MANUFACTURER TO ASSURE THAT EACH VEHICLE COMPLIES WITH ALL APPLICABLE FEDERAL AND STATE REGULATIONS.

AIR SYSTEM DIAGRAM REQUESTED BY:

TANDEM AXLE DOUBLE / SINGLE AXLE DOLLY / TANDEM AXLE DOUBLE			
DR: MG	CH: ZY	DATE: 9-12-2023	JOB NO: P-8132