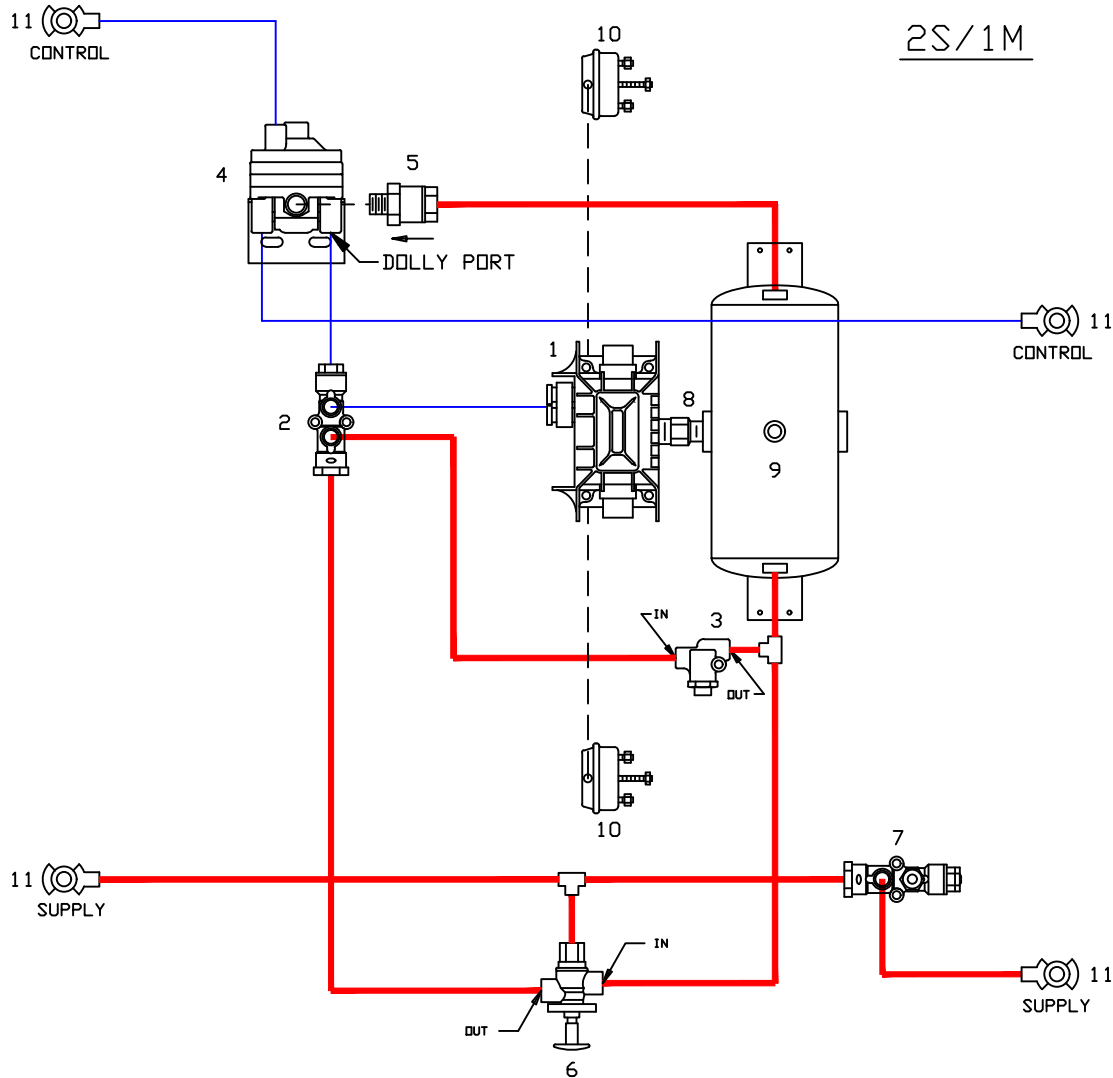


2S/1M

NO.	DESCRIPTION
1.	MERITOR WABCO NO. 400 500 104 0 ECU ASSY & RELAY VALVE
2.	SEALCO NO. 110376 EMERGENCY CONTROL VALVE
3.	SEALCO NO. 110257 EMER. BRAKE PRESS. PROTECTION
4.	SEALCO NO. 110570 DOLLY CONTROL LINE VALVE
5.	SEALCO NO. 10200-1/2 ONE-WAY CHECK VALVE
6.	SEALCO NO. 17600B EMERGENCY RELEASE VALVE
7.	SEALCO NO. 110474 ANTI BACK CHARGE VALVE
8.	SEALCO NO. 616 NIPPLE FOR 1/2 N. P. T. TANK PORT SEALCO NO. 6006 NIPPLE FOR 3/4 N. P. T. TANK PORT
9.	RESERVOIR - VOLUME TO BE AS PER FMVSS 121
10.	SERVICE BRAKE CHAMBER
11.	GLADHAND



— CONTROL LINE (BLUE)
— SUPPLY LINE (RED-1/2")
 - - - SERVICE BRAKE
 PLUG ALL UNUSED PORTS

<p>2S/1M ECU ASSY & RELAY VALVE</p> <p>WABCO NO. 400 500 104 0</p> <ol style="list-style-type: none"> SUPPLY/RES PORT (2)-3/4 N. P. T. DELIVERY PORT (4)-3/8 N. P. T. CONTROL PORT (1)-3/8 N. P. T. 	<p>EMERGENCY CONTROL VALVE</p> <p>SEALCO NO. 110376</p> <ol style="list-style-type: none"> CONTROL PORT (1)-3/8 N. P. T. SUPPLY PORT (1)-3/8 N. P. T. RESERVOIR PORT (1)-3/8 N. P. T. DELIVERY PORT (1)-3/8 N. P. T.
<p>DOLLY CONTROL LINE VALVE</p> <p>SEALCO NO. 110570</p> <ol style="list-style-type: none"> CONTROL PORT (1)-3/8 N. P. T. RESERVOIR PORT (1)-1/2 N. P. T. DELIVERY PORT (1)-3/8 N. P. T. DOLLY PORT (1)-3/8 N. P. T. 	<p>ANTI BACK CHARGE VALVE</p> <p>SEALCO NO. 110474</p> <ol style="list-style-type: none"> SUPPLY PORT IN (1)-3/8 N. P. T. SUPPLY PORT OUT (1)-3/8 N. P. T. EXHAUST PORT (1)-3/8 N. P. T.

IT IS THE RESPONSIBILITY OF THE VEHICLE MANUFACTURER TO ASSURE THAT EACH VEHICLE COMPLIES WITH FMVSS 121 AND ALL OTHER APPLICABLE FEDERAL AND STATE REGULATIONS.

AIR SYSTEM DIAGRAM REQUESTED BY:

SINGLE AXLE DOLLY

DR:	CH:	DATE:	JOB NO:
MG	ZY	4-13-2023	P-8089