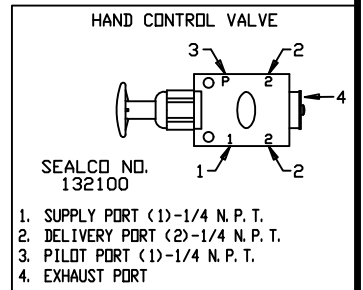
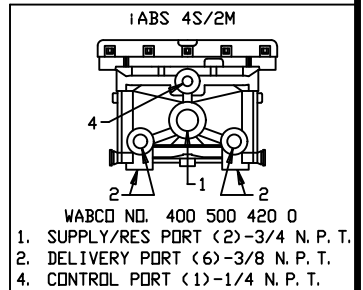
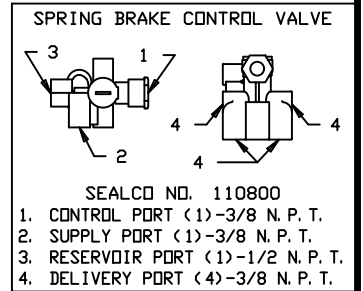
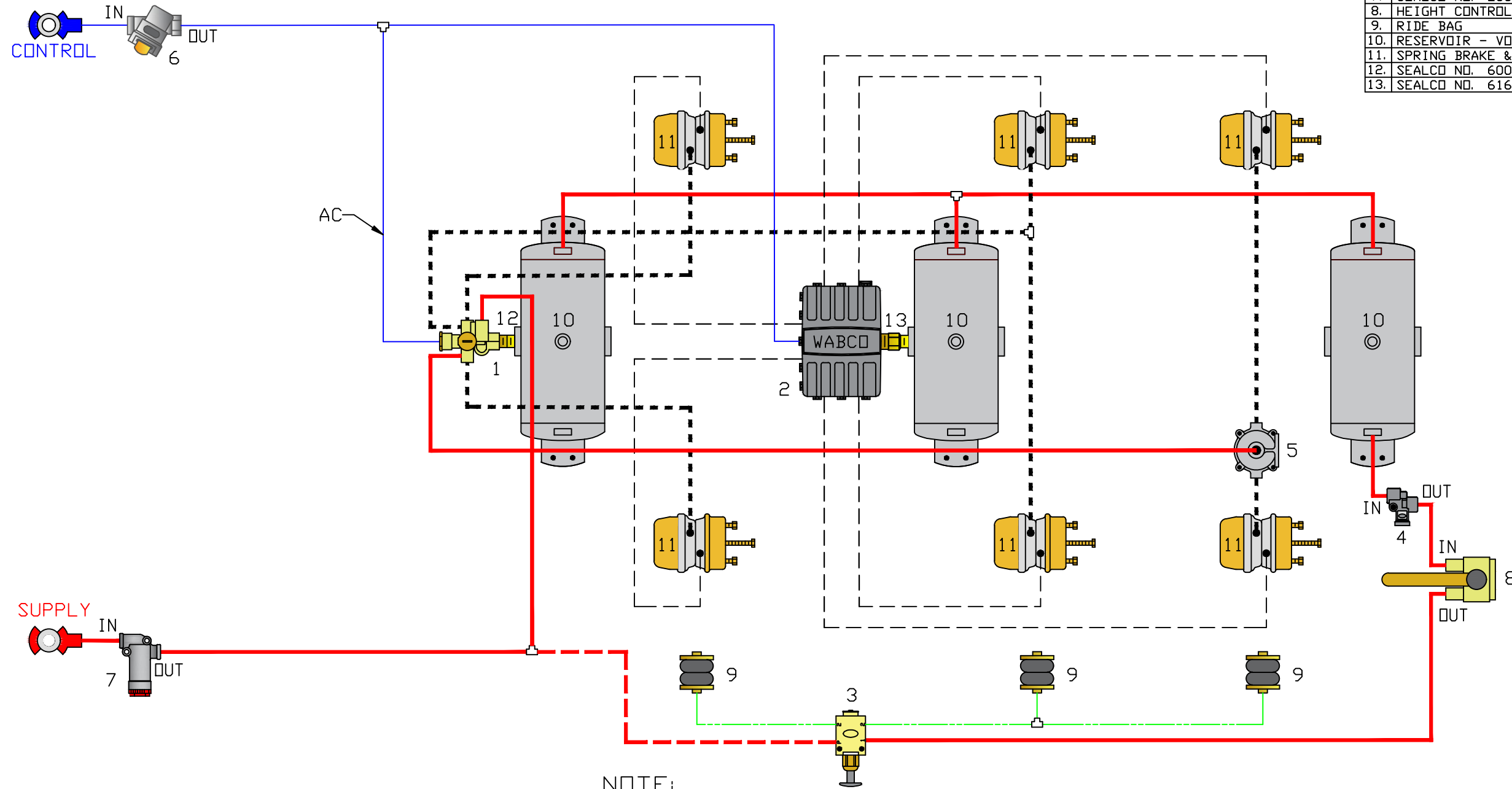




Sealco Commercial Vehicle Products

602-253-1007 fax 800/222-2334 www.sealcovp.com

NO.	DESCRIPTION
1.	SEALCO NO. 110800 SPRING BRAKE CONTROL VALVE
2.	WABCO NO. 400 500 420 0 iABS 4S/2M
3.	SEALCO NO. 132100 HAND CONTROL VALVE
4.	SEALCO NO. 140270 PRESSURE PROTECTION VALVE
5.	SEALCO NO. 200524 QUICK RELEASE VALVE W/ EXHAUST SEAL
6.	WABCO NO. 432 500 005 0 CONTROL LINE FILTER OPTIONAL
7.	SEALCO NO. 2550 LINE FILTER OPTIONAL
8.	HEIGHT CONTROL VALVE
9.	RIDE BAG
10.	RESERVOIR - VOLUME TO BE AS PER FMVSS-121
11.	SPRING BRAKE & SERVICE BRAKE CHAMBER
12.	SEALCO NO. 6002 1/2 X 1/2 OR 6003 1/2 X 3/4 NIPPLE
13.	SEALCO NO. 616 1/2 X 3/4 OR 6006 3/4 X 3/4 NIPPLE



NOTE:  
ITEM 3 PORT 2 TO AIR RIDE BAGS.  
P PORT OPTIONAL FOR AUTO RESET.

— CONTROL LINE (BLUE-3/8")  
— SUPPLY LINE (RED-1/2")  
- - - SPRING BRAKE  
- - - SERVICE BRAKE  
- - - RIDE BAG  
A/C ANTI COMPOUNDING  
PLUG ALL UNUSED PORTS

VEHICLE COMPLIANCE & CERTIFICATION WITH ALL APPLICABLE FEDERAL, STATE & PROVINCIAL REGULATIONS INCLUDING FMVSS 121 AND CMVSS 121 IS SOLELY THE RESPONSIBILITY OF THE VEHICLE MANUFACTURER

AIR SYSTEM DIAGRAM REQUESTED BY:

3 AXLE TRAILER WITH iABS STANDARD

DR:	CH:	DATE:	JOB NO:
MG	ZY	12-20-2022	P-8069