



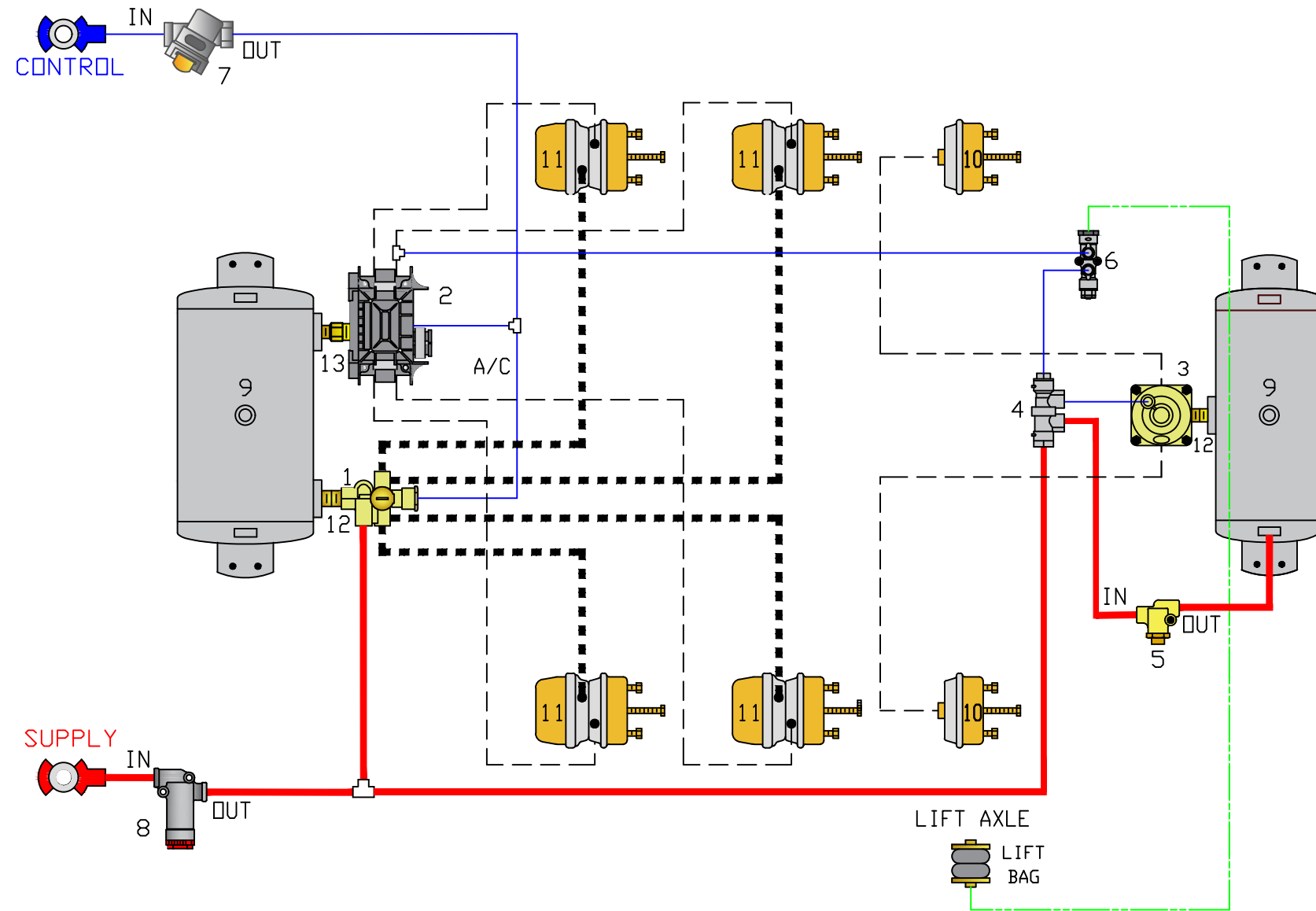
Sealco Commercial Vehicle Products

602-253-1007

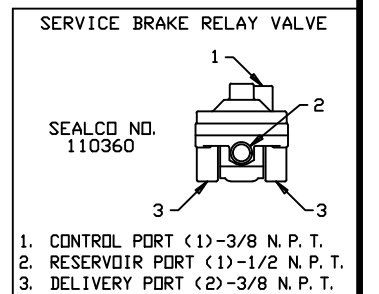
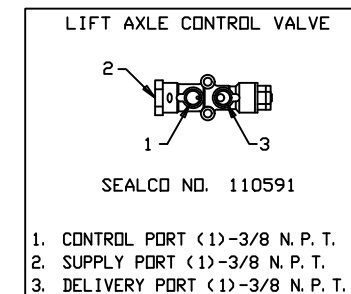
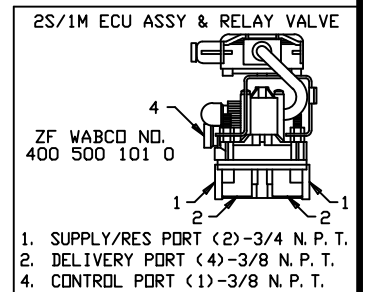
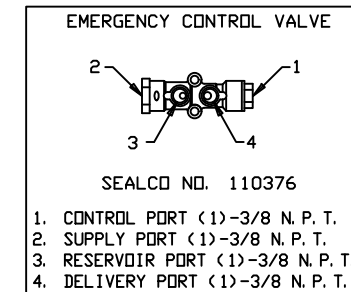
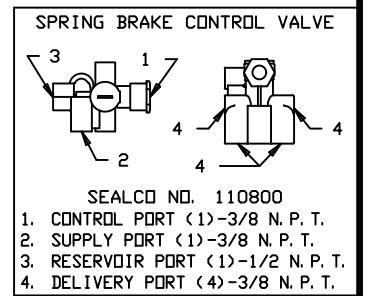
fax 800/222-2334

www.sealcovp.com

- CONTROL LINE (BLUE-3/8")
- SUPPLY LINE (RED-1/2")
- - - SPRING BRAKE
- - - SERVICE BRAKE
- - - LIFT BAG
- - - A/C ANTI COMPOUNDING
- PLUG ALL UNUSED PORTS



NO.	DESCRIPTION
1.	SEALCO NO. 110800 SPRING BRAKE CONTROL VALVE
2.	WABCO NO. 400 500 101 0 ECU ASSEMBLY & RELAY VALVE
3.	SEALCO NO. 110360 RELAY VALVE
4.	SEALCO NO. 110376 EMERGENCY RELEASE VALVE
5.	SEALCO NO. 110257 EMERGENCY BRAKE PRESSURE PROTECTION
6.	SEALCO NO. 110591 LIFT AXLE CONTROL VALVE
7.	WABCO NO. 432 500 005 0 CONTROL LINE VALVE
8.	SEALCO NO. 2550 LINE FILTER
9.	RESERVOIR - VOLUME TO BE AS PER FMVSS-121
10.	SERVICE BRAKE CHAMBER (T-20)
11.	SPRING BRAKE & SERVICE BRAKE CHAMBER
12.	SEALCO NO. 616 1/2" X 3/4" OR 6002 1/2" X 1/2" NIPPLE
13.	SEALCO NO. 616 1/2" X 3/4" OR 6006 3/4" X 3/4" NIPPLE



VEHICLE COMPLIANCE & CERTIFICATION WITH ALL APPLICABLE FEDERAL, STATE & PROVINCIAL REGULATIONS INCLUDING FMVSS 121 AND CMVSS 121 IS SOLELY THE RESPONSIBILITY OF THE VEHICLE MANUFACTURER

AIR SYSTEM DIAGRAM REQUESTED BY: --

2S/1M 3 AXLE SEMI TRAILER WITH 1 LIFT AXLE			
DR: MG	CH: ZY	DATE: 12-7-2022	JOB NO: P-8064