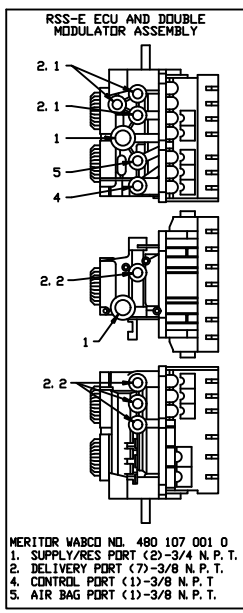
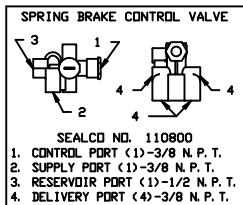
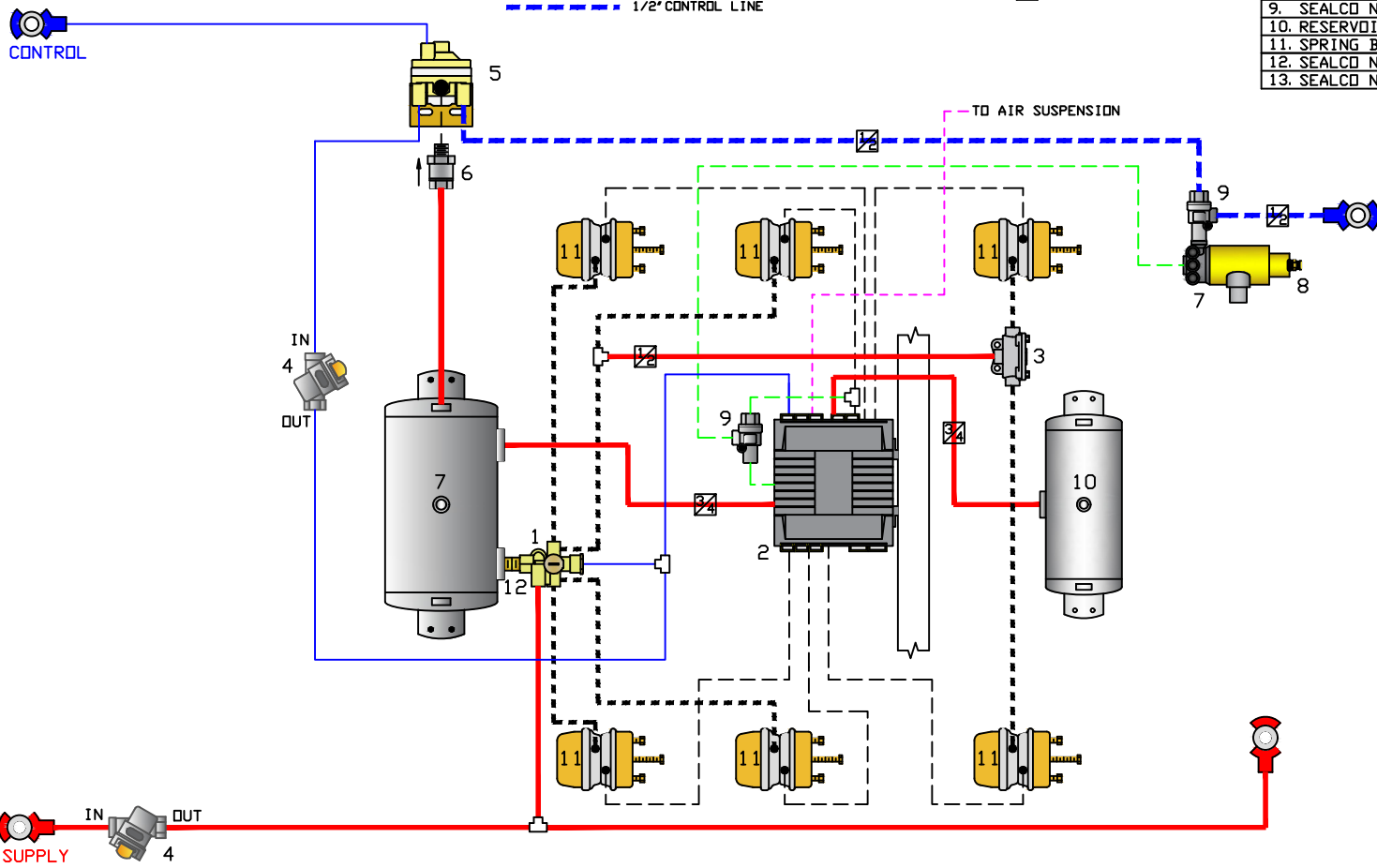


UNLESS OTHERWISE NOTED ALL HOSE IS 3/8", SUPPLY LINE TUBE 1/2" & CONTROL LINE TUBE 3/8"

— CONTROL LINE
— SUPPLY LINE
- - - SPRING BRAKE
- - - SERVICE BRAKE
- - - 1/2" CONTROL LINE
- - - OTHER
- - - OTHER

3/8 1/2 5/8 3/4 DIAMETERS
AC ANTI COMPONDING

NO.	DESCRIPTION
1.	SEALCO NO. 110800 SPRING BRAKE CONTROL VALVE
2.	WABCO NO. 480 107 001 0 RSS PLUS VALVE
3.	SEALCO NO. 200524 QUICK RELEASE
4.	WABCO NO. 432 500 005 0 CONTROL LINE FILTER
5.	SEALCO NO. 110580 CONTROL LINE BOOSTER VALVE
6.	SEALCO NO. 10200 1/2 CHECK VALVE
7.	WABCO NO. 472 170 997 0 SOLENOID & 449 443 030 0 CABLE
8.	SEALCO NO. 715152 BREATHER
9.	SEALCO NO. 320100 TWO WAY CHECK VALVE
10.	RESERVOIR - VOLUME TO BE AS PER FMVSS-121
11.	SPRING BRAKE & SERVICE BRAKE CHAMBER
12.	SEALCO NO. 616 1/2" X 3/4" DR 6002 1/2" X 1/2" NIPPLE
13.	SEALCO NO. 616 1/2" X 3/4" DR 6006 3/4" X 3/4" NIPPLE



VEHICLE COMPLIANCE & CERTIFICATION WITH ALL APPLICABLE FEDERAL, STATE & PROVINCIAL REGULATIONS INCLUDING FMVSS 121 AND CMVSS 121 IS SOLELY THE RESPONSIBILITY OF THE VEHICLE MANUFACTURER

AIR SYSTEM DIAGRAM REQUESTED BY: _____

3 AXLE RSS+ LEAD SEMI WITH P5E			
DR:	CH:	DATE:	JOB NO:
TS	ZY	12-16-2021	P-7978