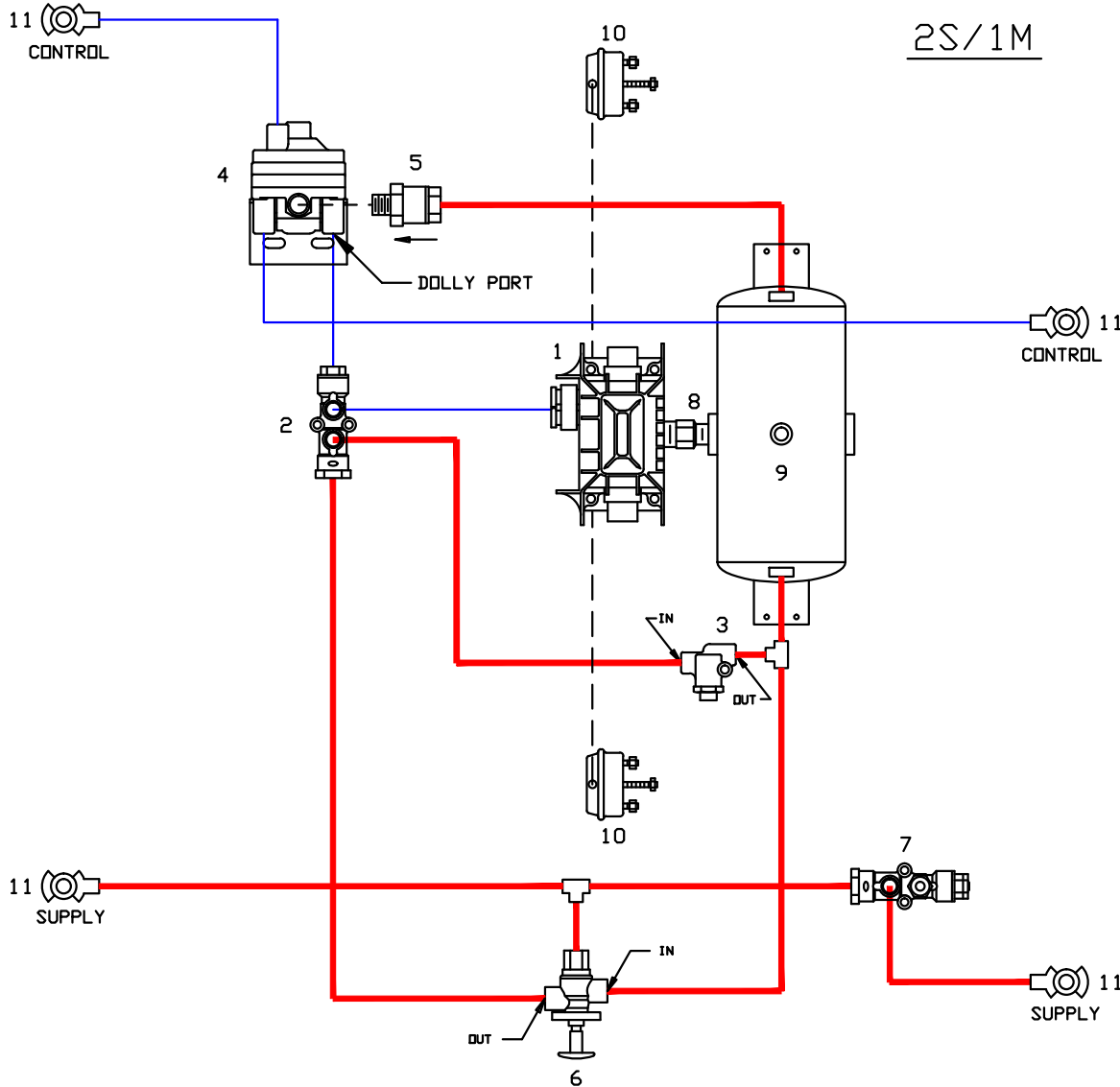


2S/1M



NO.	DESCRIPTION
1.	MERITOR WABCO NO. 400 500 104 0 ECU ASSY & RELAY VALVE
2.	SEALCO NO. 110376 EMERGENCY CONTROL VALVE
3.	SEALCO NO. 110257 EMER. BRAKE PRESS. PROTECTION
4.	SEALCO NO. 110570 CONTROL LINE VALVE
5.	SEALCO NO. 10200-1/2 ONE-WAY CHECK VALVE
6.	SEALCO NO. 17600B/17620 EMERGENCY RELEASE VALVE
7.	SEALCO NO. 110474 ANTI BACK CHARGE VALVE
8.	SEALCO NO. 616 NIPPLE FOR 1/2 N. P. T. TANK PORT SEALCO NO. 6006 NIPPLE FOR 3/4 N. P. T. TANK PORT
9.	RESERVOIR - VOLUME TO BE AS PER FMVSS 121
10.	SERVICE BRAKE CHAMBER
11.	GLADHAND

— CONTROL LINE (BLUE)  
— SUPPLY LINE (RED-1/2")  
 - - - - - SERVICE BRAKE  
 PLUG ALL UNUSED PORTS

<p>2S/1M ECU ASSY &amp; RELAY VALVE</p> <p>WABCO NO. 400 500 104 0</p> <ol style="list-style-type: none"> <li>SUPPLY/RES PORT (2)-3/4 N. P. T.</li> <li>DELIVERY PORT (4)-3/8 N. P. T.</li> <li>CONTROL PORT (1)-3/8 N. P. T.</li> <li>CONTROL PORT (1)-3/8 N. P. T.</li> </ol>	<p>EMERGENCY CONTROL VALVE</p> <p>SEALCO NO. 110376</p> <ol style="list-style-type: none"> <li>CONTROL PORT (1)-3/8 N. P. T.</li> <li>SUPPLY PORT (1)-3/8 N. P. T.</li> <li>RESERVOIR PORT (1)-3/8 N. P. T.</li> <li>DELIVERY PORT (1)-3/8 N. P. T.</li> </ol>
<p>CONTROL LINE VALVE</p> <p>SEALCO NO. 110570</p> <ol style="list-style-type: none"> <li>CONTROL PORT (1)-3/8 N. P. T.</li> <li>RESERVOIR PORT (1)-1/2 N. P. T.</li> <li>DELIVERY PORT (1)-3/8 N. P. T.</li> <li>DOLLY PORT (1)-3/8 N. P. T.</li> </ol>	<p>ANTI BACK CHARGE VALVE</p> <p>SEALCO NO. 110474</p> <ol style="list-style-type: none"> <li>SUPPLY PORT IN (1)-3/8 N. P. T.</li> <li>SUPPLY PORT OUT (1)-3/8 N. P. T.</li> <li>EXHAUST PORT (1)-3/8 N. P. T.</li> </ol>

VEHICLE COMPLIANCE & CERTIFICATION WITH ALL APPLICABLE FEDERAL, STATE & PROVINCIAL REGULATIONS INCLUDING FMVSS 121 AND CMVSS 121 IS SOLELY THE RESPONSIBILITY OF THE VEHICLE MANUFACTURER

AIR SYSTEM DIAGRAM REQUESTED BY:

SINGLE AXLE DOLLY

DR:	CH:	DATE:	JOB NO:
MG	ZY	7-19-2019	P-7824