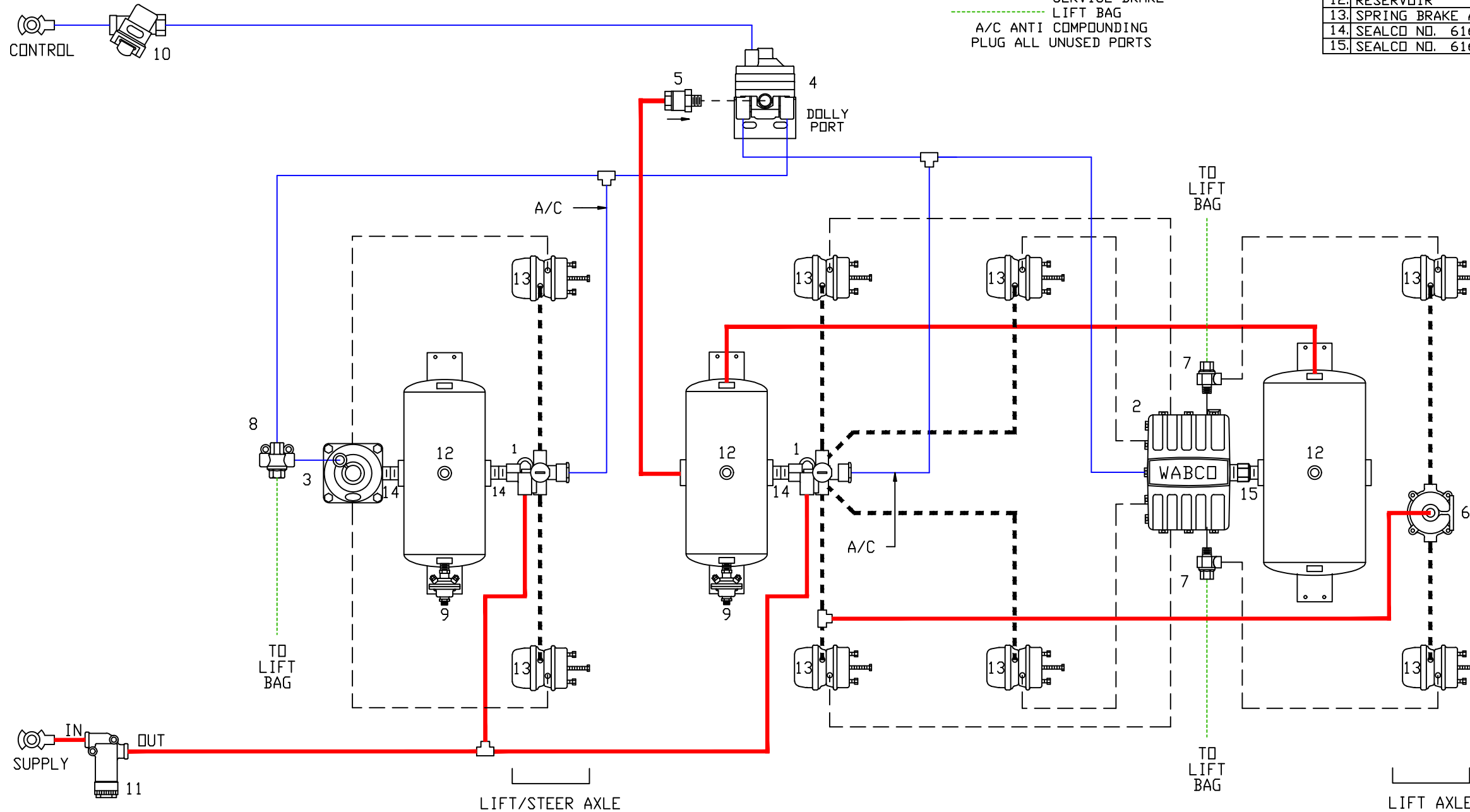
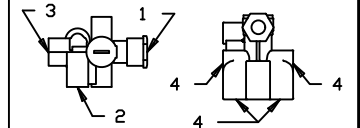


NO.	DESCRIPTION
1.	SEALCO NO. 110800 SPRING BRAKE CONTROL VALVE
2.	ZF WABCO NO. 400 500 420 0 iABS
3.	SEALCO NO. 110410 RELAY VALVE
4.	SEALCO NO. 110570 CONTROL LINE VALVE
5.	SEALCO NO. 10200-1/2 ONE-WAY CHECK VALVE
6.	SEALCO NO. 200524 QUICK RELEASE VALVE
7.	SEALCO NO. 780115 FREE WHEEL CONTROL VALVE FOR LIFT AXLE
8.	SEALCO NO. 780215 FREE WHEEL CONTROL VALVE FOR LIFT AXLE
9.	SEALCO NO. 8000 LOW PRESSURE INDICATOR SWITCH
10.	ZF WABCO NO. 432 500 005 0 CONTROL LINE FILTER
11.	SEALCO NO. 2550 LINE FILTER
12.	RESERVOIR
13.	SPRING BRAKE AND SERVICE BRAKE CHAMBER
14.	SEALCO NO. 616 1/2" X 3/4" NIPPLE OR 6002 1/2" X 1/2" NIPPLE
15.	SEALCO NO. 616 1/2" X 3/4" NIPPLE OR 6006 3/4" X 3/4" NIPPLE

— CONTROL LINE (BLUE)
— SUPPLY LINE (RED-1/2")
 - - - - - SPRING BRAKE
 - - - - - SERVICE BRAKE
 - - - - - LIFT BAG
 A/C ANTI-COMPOUNDING
 PLUG ALL UNUSED PORTS

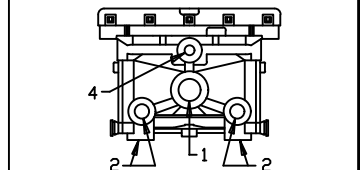


SPRING BRAKE CONTROL VALVE



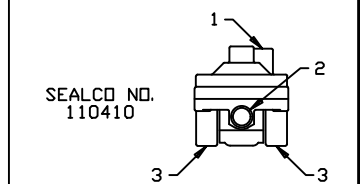
SEALCO NO. 110800
 1. CONTROL PORT (1)-3/8 N. P. T.
 2. SUPPLY PORT (1)-3/8 N. P. T.
 3. RESERVOIR PORT (1)-1/2 N. P. T.
 4. DELIVERY PORT (4)-3/8 N. P. T.

iABS 4S/2M



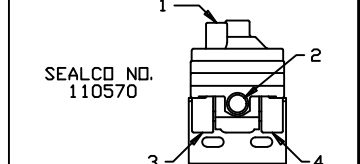
ZF WABCO NO. 400 500 420 0
 1. SUPPLY/RES PORT (2)-3/4 N. P. T.
 2. DELIVERY PORT (6)-3/8 N. P. T.
 4. CONTROL PORT (1)-1/4 N. P. T.

SERVICE BRAKE RELAY VALVE



SEALCO NO. 110410
 1. CONTROL PORT (1)-3/8 N. P. T.
 2. RESERVOIR PORT (1)-1/2 N. P. T.
 3. DELIVERY PORT (2)-3/8 N. P. T.

DOLLY CONTROL LINE VALVE



SEALCO NO. 110570
 1. CONTROL PORT (1)-3/8 N. P. T.
 2. RESERVOIR PORT (1)-1/2 N. P. T.
 3. DELIVERY PORT (1)-3/8 N. P. T.
 4. DOLLY PORT (1)-3/8 N. P. T.

VEHICLE COMPLIANCE & CERTIFICATION WITH ALL APPLICABLE FEDERAL, STATE & PROVINCIAL REGULATIONS INCLUDING FMVSS 121 & CMVSS 121 IS SOLELY THE RESPONSIBILITY OF THE VEHICLE MANUFACTURER

AIR SYSTEM DIAGRAM REQUESTED BY:

SPIF 4S/2M 4 AXLE (1+3) SEMI TRAILER
 DR: MG CH: ZY DATE: 10-9-2023 DRAWING NO: P-8136