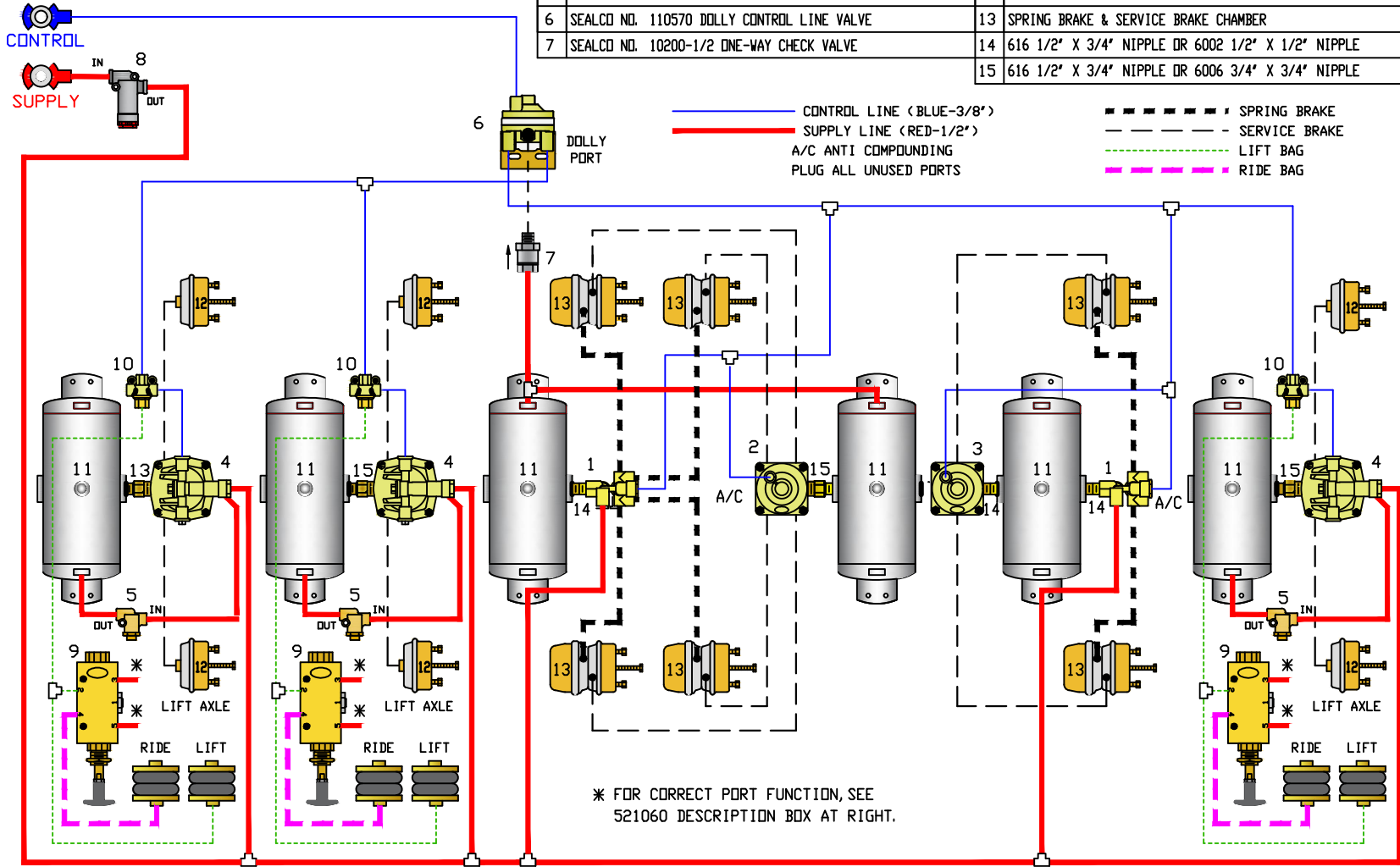


NO.	DESCRIPTION	NO.	DESCRIPTION
1	SEALCO NO. 110500 SPRING BRAKE CONTROL VALVE	8	SEALCO NO. 2550 LINE FILTER
2	SEALCO NO. 110415 RELAY VALVE	9	SEALCO NO. 521060 5/2 MANUAL VALVE
3	SEALCO NO. 110410 RELAY VALVE	10	SEALCO NO. 780215 FREE WHEEL CONTROL VALVE FOR LIFT AXLE
4	SEALCO NO. 110338 DOLLY RELAY EMERGENCY VALVE	11	RESERVOIR - VOLUME TO BE AS PER FMVSS 121
5	SEALCO NO. 110257 EMERGENCY BRAKE PRESSURE PROTECTION	12	SERVICE BRAKE CHAMBER
6	SEALCO NO. 110570 DOLLY CONTROL LINE VALVE	13	SPRING BRAKE & SERVICE BRAKE CHAMBER
7	SEALCO NO. 10200-1/2 ONE-WAY CHECK VALVE	14	616 1/2" X 3/4" NIPPLE OR 6002 1/2" X 1/2" NIPPLE
		15	616 1/2" X 3/4" NIPPLE OR 6006 3/4" X 3/4" NIPPLE



SPRING BRAKE CONTROL VALVE
 SEALCO NO. 110500
 1. CONTROL PORT (1)-3/8 N.P.T.
 2. SUPPLY PORT (1)-3/8 N.P.T.
 3. RESERVOIR PORT (1)-1/2 N.P.T.
 4. DELIVERY PORT (4)-3/8 N.P.T.

SERVICE BRAKE RELAY VALVE
 SEALCO NO. 110415
 1. CONTROL PORT (1)-3/8 N.P.T.
 2. RESERVOIR PORT (1)-3/4 N.P.T.
 3. DELIVERY PORT (4)-3/8 N.P.T.

SERVICE BRAKE RELAY VALVE
 SEALCO NO. 110410
 1. CONTROL PORT (1)-3/8 N.P.T.
 2. RESERVOIR PORT (1)-1/2 N.P.T.
 3. DELIVERY PORT (2)-3/8 N.P.T.

DOLLY RELAY EMERGENCY VALVE
 SEALCO NO. 110338
 1. CONTROL PORT (2)-3/8 N.P.T.
 2. SUPPLY PORT (IN) (1)-3/8 N.P.T.
 3. SUPPLY PORT (OUT) (1)-3/8 N.P.T.
 4. RESERVOIR PORT (1)-3/4 N.P.T.
 5. DELIVERY PORT (4)-3/8 N.P.T.

DOLLY CONTROL LINE VALVE
 SEALCO NO. 110570
 1. CONTROL PORT (1)-3/8 N.P.T.
 2. RESERVOIR PORT (1)-1/2 N.P.T.
 3. DELIVERY PORT (1)-3/8 N.P.T.
 4. DOLLY PORT (1)-3/8 N.P.T.

5/2 VALVE MANUALLY OPERATED
 SEALCO NO. 521060
 1. EXHAUST PORT (1)-3/8 N.P.T.
 2. LIFT BAG PORT (1)-3/8 N.P.T.
 3. SUPPLY/SOLENOID PILOT (1)-3/8 N.P.T.
 4. RIDE BAG-LIFT AXLE (1)-3/8 N.P.T.
 5. HEIGHT CONTROL VALVE (1)-3/8 N.P.T.

* FOR CORRECT PORT FUNCTION, SEE 521060 DESCRIPTION BOX AT RIGHT.

IT IS THE RESPONSIBILITY OF THE VEHICLE MANUFACTURER TO ASSURE THAT EACH VEHICLE COMPLIES WITH FMVSS 121 AND ALL OTHER APPLICABLE FEDERAL AND STATE REGULATIONS.

AIR SYSTEM REQUESTED BY:

ABS EXEMPT 6 AXLE TRAILER WITH 3 LIFT AXLES

DRAWN BY: MG	CHECKED: FF	DATE: 8-18-2023	DRAWING NO: P-8128
-----------------	----------------	--------------------	-----------------------