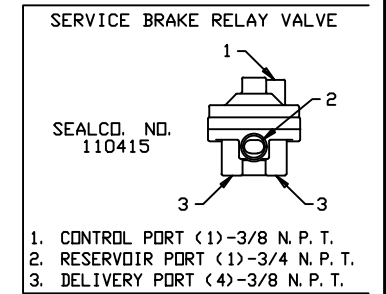
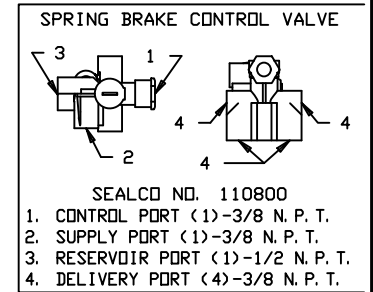
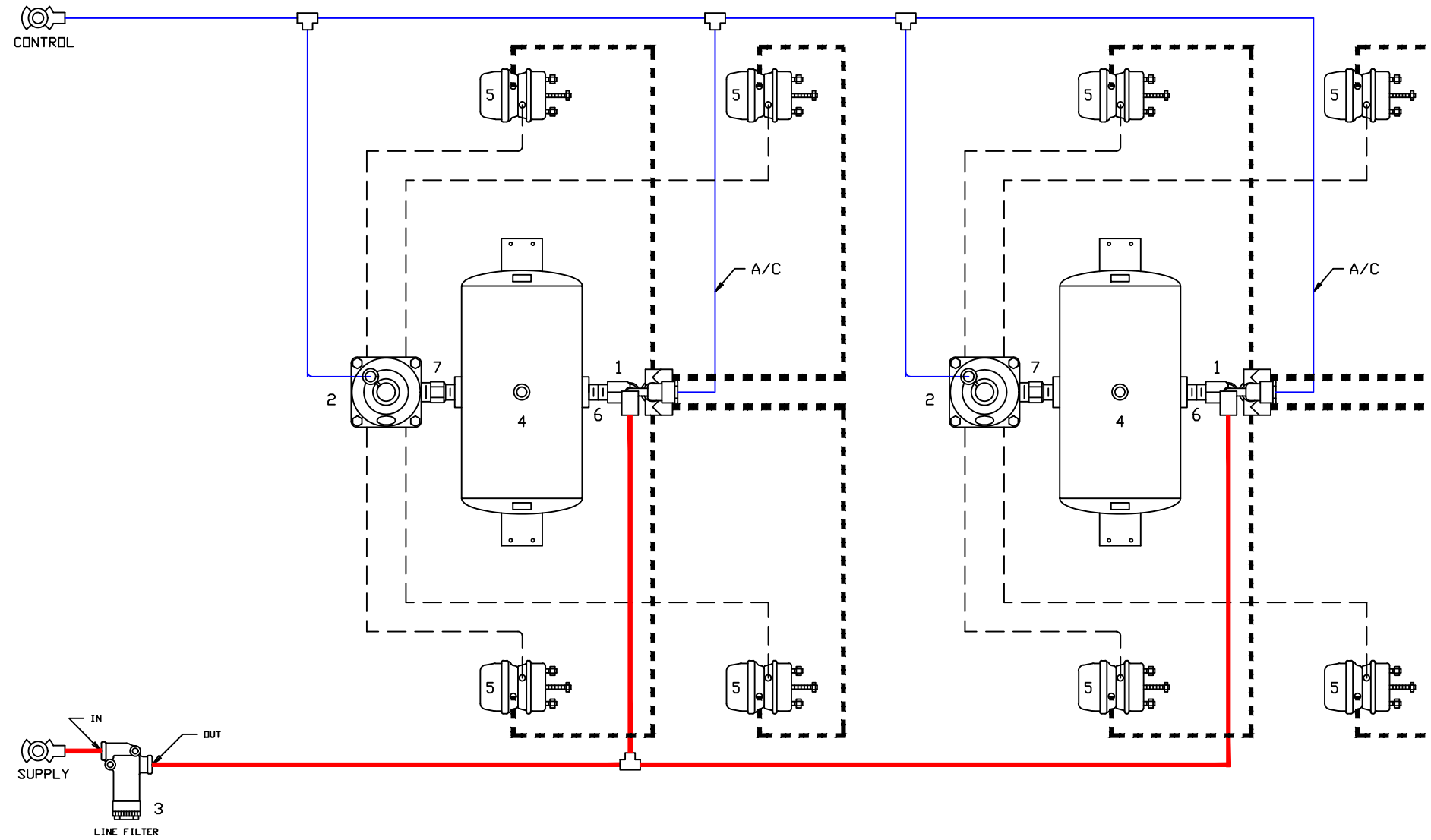




NO.	DESCRIPTION
1.	SEALCO NO. 110500 SPRING BRAKE CONTROL VALVE
2.	SEALCO NO. 110415 RELAY VALVE
3.	SEALCO NO. 2550 LINE FILTER
4.	RESERVOIR - VOLUME TO BE AS PER FMVSS-121
5.	SPRING BRAKE & SERVICE BRAKE CHAMBER
6.	SEALCO NO. 6002 NIPPLE FOR 1/2 N. P. T. TANK PORT SEALCO NO. 6003 NIPPLE FOR 3/4 N. P. T. TANK PORT
7.	SEALCO NO. 616 NIPPLE FOR 1/2 N. P. T. TANK PORT SEALCO NO. 6006 NIPPLE FOR 3/4 N. P. T. TANK PORT



— CONTROL LINE (BLUE-3/8")
— SUPPLY LINE (RED-1/2")
 SPRING BRAKE
 SERVICE BRAKE
 A/C ANTI COMPOUNDING
 PLUG ALL UNUSED PORTS

VEHICLE COMPLIANCE AND CERTIFICATION WITH ALL APPLICABLE FEDERAL, STATE AND PROVINCIAL REGULATIONS INCLUDING FMVSS 121 AND CMVSS 121 IS SOLELY THE RESPONSIBILITY OF THE VEHICLE MANUFACTURER

AIR SYSTEM DIAGRAM REQUESTED BY:

FOUR AXLE TRAILER
ABS EXEMPT

DR: MG	CH: ZY	DATE: 8-10-2023	DRAWING NO: P-8125
-----------	-----------	--------------------	-----------------------