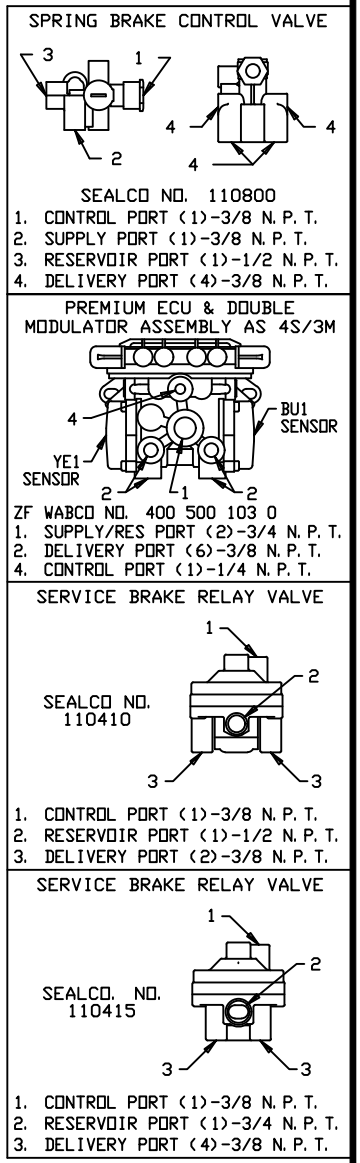
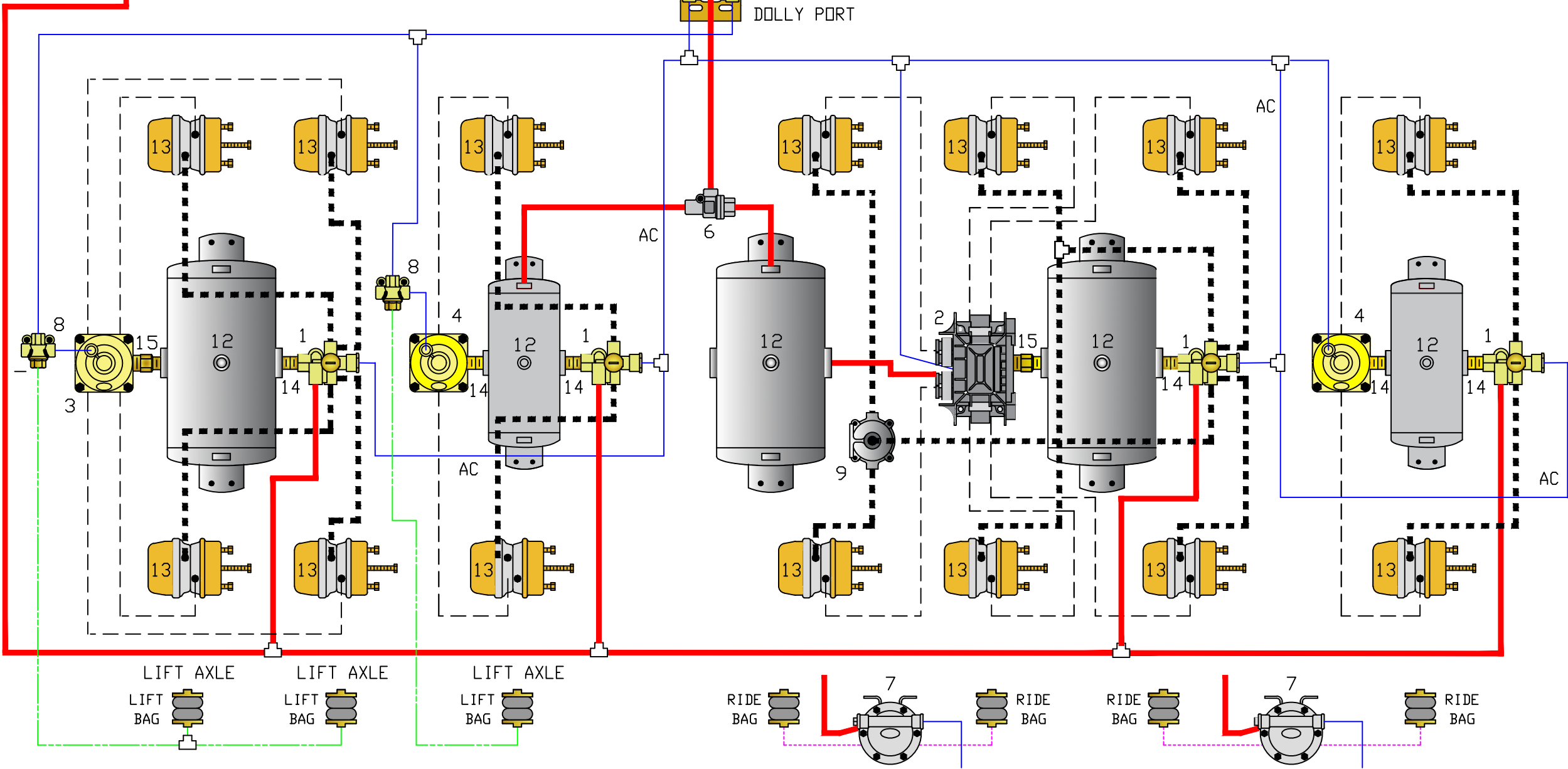
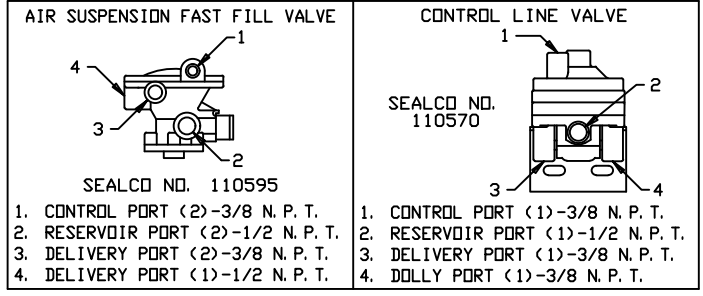
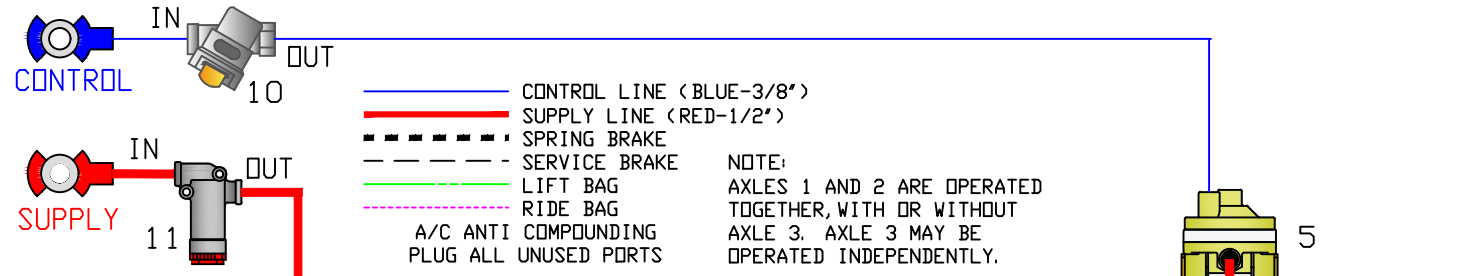


NO.	DESCRIPTION
1.	SEALCO NO. 110800 SPRING BRAKE CONTROL VALVE
2.	ZF WABCO NO. 400 500 103 0 ECU VALVE ASSEMBLY
3.	SEALCO NO. 110415 RELAY VALVE
4.	SEALCO NO. 110410 RELAY VALVE
5.	SEALCO NO. 110570 CONTROL LINE VALVE - OPTIONAL
6.	SEALCO NO. 320100 TWO-WAY CHECK VALVE
7.	SEALCO NO. 110595 FAST FILL VALVE
8.	SEALCO NO. 780215 FREE WHEEL LIFT AXLE VALVE
9.	SEALCO NO. 200001 QUICK RELEASE VALVE
10.	ZF WABCO NO. 432 500 005 0 CONTROL LINE FILTER
11.	SEALCO NO. 2550 LINE FILTER
12.	RESERVOIR - VOLUME TO BE AS PER FMVSS-121
13.	SPRING BRAKE & SERVICE BRAKE CHAMBER
14.	SEALCO NO. 616 1/2" X 3/4" DR 6002 1/2" X 1/2" NIPPLE
15.	SEALCO NO. 616 1/2" X 3/4" DR 6006 3/4" X 3/4" NIPPLE



VEHICLE COMPLIANCE & CERTIFICATION WITH ALL APPLICABLE FEDERAL, STATE & PROVINCIAL REGULATIONS INCLUDING FMVSS 121 AND CMVSS 121 IS SOLELY THE RESPONSIBILITY OF THE VEHICLE MANUFACTURER

AIR SYSTEM DIAGRAM REQUESTED BY: --

110595 LEGEND
 FROM MANUAL CONTROL VALVE (blue line)
 FROM ISOLATED RESERVOIR (red line)
 DELIVERY TO RIDE BAG (magenta line)

7 AXLE TRAILER W/ 3 LIFT AXLES AND 4S/2M

DR: MG	CH: ZY	DATE: 7-17-2023	JOB NO: P-8119
--------	--------	-----------------	----------------