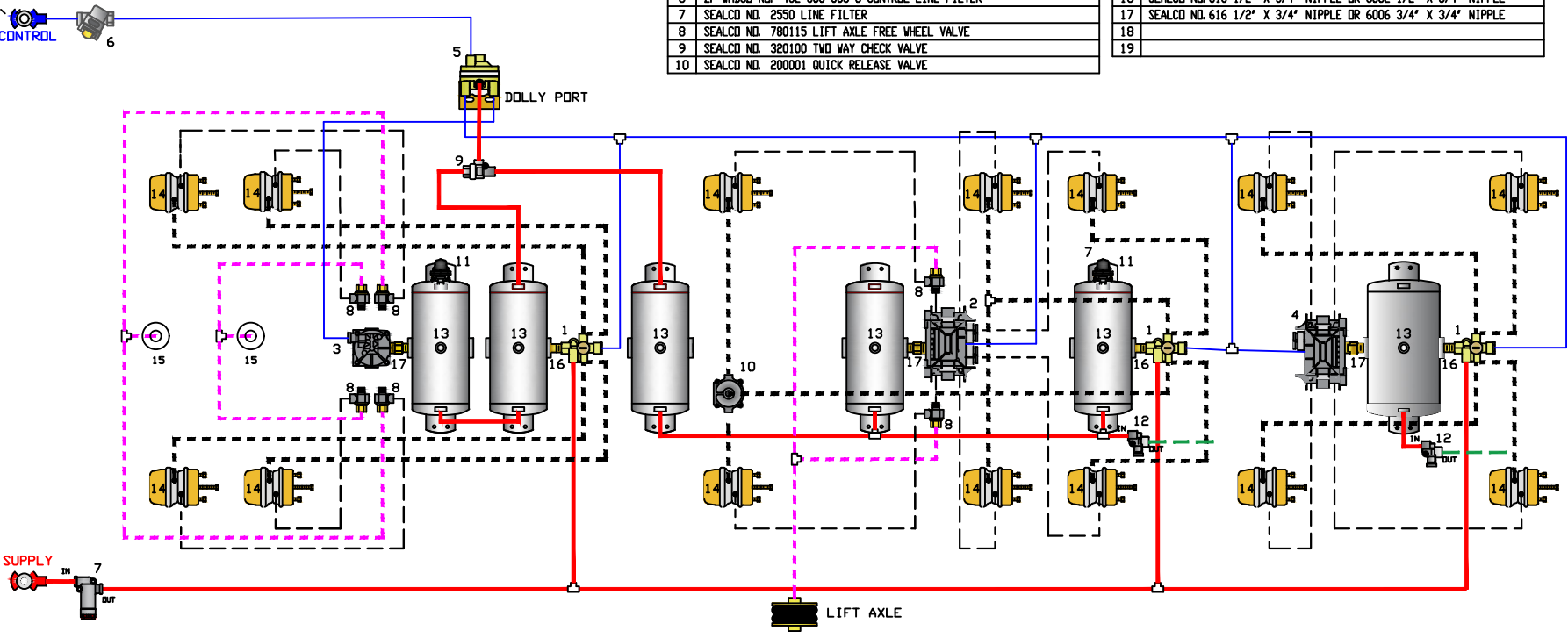


UNLESS OTHERWISE NOTED ALL HOSE IS 3/8", SUPPLY LINE TUBE 1/2" & CONTROL LINE TUBE 3/8"
 CONTROL LINE
 SUPPLY LINE
 SPRING BRAKE
 SERVICE BRAKE
 DIAMETERS
 OTHER
 ANTI-COMPOUNDING



NO.	DESCRIPTION
1	SEALCO NO. 110800 SPRING BRAKE VALVE
2	ZF WABCO NO. 400 500 103 0 PREMIUM ECU ASSEMBLY
3	ZF WABCO NO. 472 195 033 0 ABS RELAY VALVE
4	ZF WABCO NO. 400 500 101 0 ECU ASSEMBLY & RELAY VALVE
5	SEALCO NO. 110570 DOLLY CONTROL LINE VALVE
6	ZF WABCO NO. 432 500 005 0 CONTROL LINE FILTER
7	SEALCO NO. 2550 LINE FILTER
8	SEALCO NO. 780115 LIFT AXLE FREE WHEEL VALVE
9	SEALCO NO. 320100 TWO WAY CHECK VALVE
10	SEALCO NO. 200001 QUICK RELEASE VALVE

NO.	DESCRIPTION
11	SEALCO NO. 8000-70 LOW PRESSURE INDICATOR SWITCH
12	SEALCO NO. 140270 PRESSURE PROTECTION VALVE
13	RESERVOIR
14	SPRING BRAKE AND SERVICE BRAKE CHAMBER
15	LIFT BAG
16	SEALCO NO. 616 1/2" X 3/4" NIPPLE OR 6002 1/2" X 3/4" NIPPLE
17	SEALCO NO. 616 1/2" X 3/4" NIPPLE OR 6006 3/4" X 3/4" NIPPLE
18	
19	

SPRING BRAKE CONTROL VALVE

SEALCO NO. 110800
 1. CONTROL PORT (1)-3/8 N.P.T.
 2. SUPPLY PORT (1)-3/8 N.P.T.
 3. RESERVOIR PORT (1)-1/2 N.P.T.
 4. DELIVERY PORT (4)-3/8 N.P.T.

PREMIUM ECU & DOUBLE MODULATOR ASSEMBLY AS 4S/3M

ZF WABCO NO. 400 500 103 0
 1. SUPPLY/RES PORT (2)-3/4 N.P.T.
 2. DELIVERY PORT (4)-3/8 N.P.T.
 4. CONTROL PORT (1)-1/4 N.P.T.

ABS RELAY VALVE - 4 PORT

ZF WABCO NO. 472 195 033 0
 1. SUPPLY/RES PORT (2)-3/4 N.P.T.
 2. DELIVERY PORT (4)-3/8 N.P.T.
 4. CONTROL PORT (1)-3/8 N.P.T.

2S/1M ECU ASSY & RELAY VALVE

ZF WABCO NO. 400 500 101 0
 1. SUPPLY/RES PORT (2)-3/4 N.P.T.
 2. DELIVERY PORT (4)-3/8 N.P.T.
 4. CONTROL PORT (1)-3/8 N.P.T.

DOLLY CONTROL LINE VALVE

SEALCO NO. 110570
 1. CONTROL PORT (1)-3/8 N.P.T.
 2. RESERVOIR PORT (1)-1/2 N.P.T.
 3. DELIVERY PORT (1)-3/8 N.P.T.
 4. DOLLY PORT (1)-3/8 N.P.T.

IT IS THE RESPONSIBILITY OF THE VEHICLE MANUFACTURER TO ASSURE THAT EACH VEHICLE COMPLIES WITH ALL APPLICABLE REGULATIONS.

AIR SYSTEM REQUESTED BY:
 TROUT RIVER

SPIF & MICHIGAN COMPLIANT 4S/3M+2S/1M 7 AXLE TRAILER

DRAWN BY: JD	CHECKED:	DATE: 6-8-23	DRAWING NO: P-8102
-----------------	----------	-----------------	-----------------------