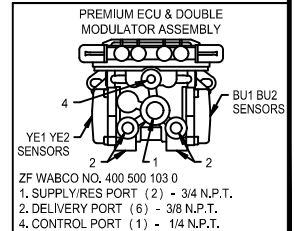
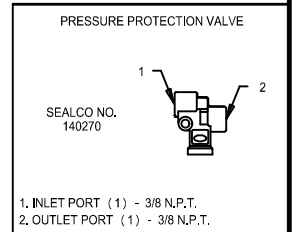
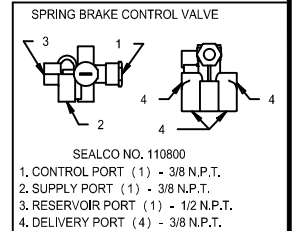
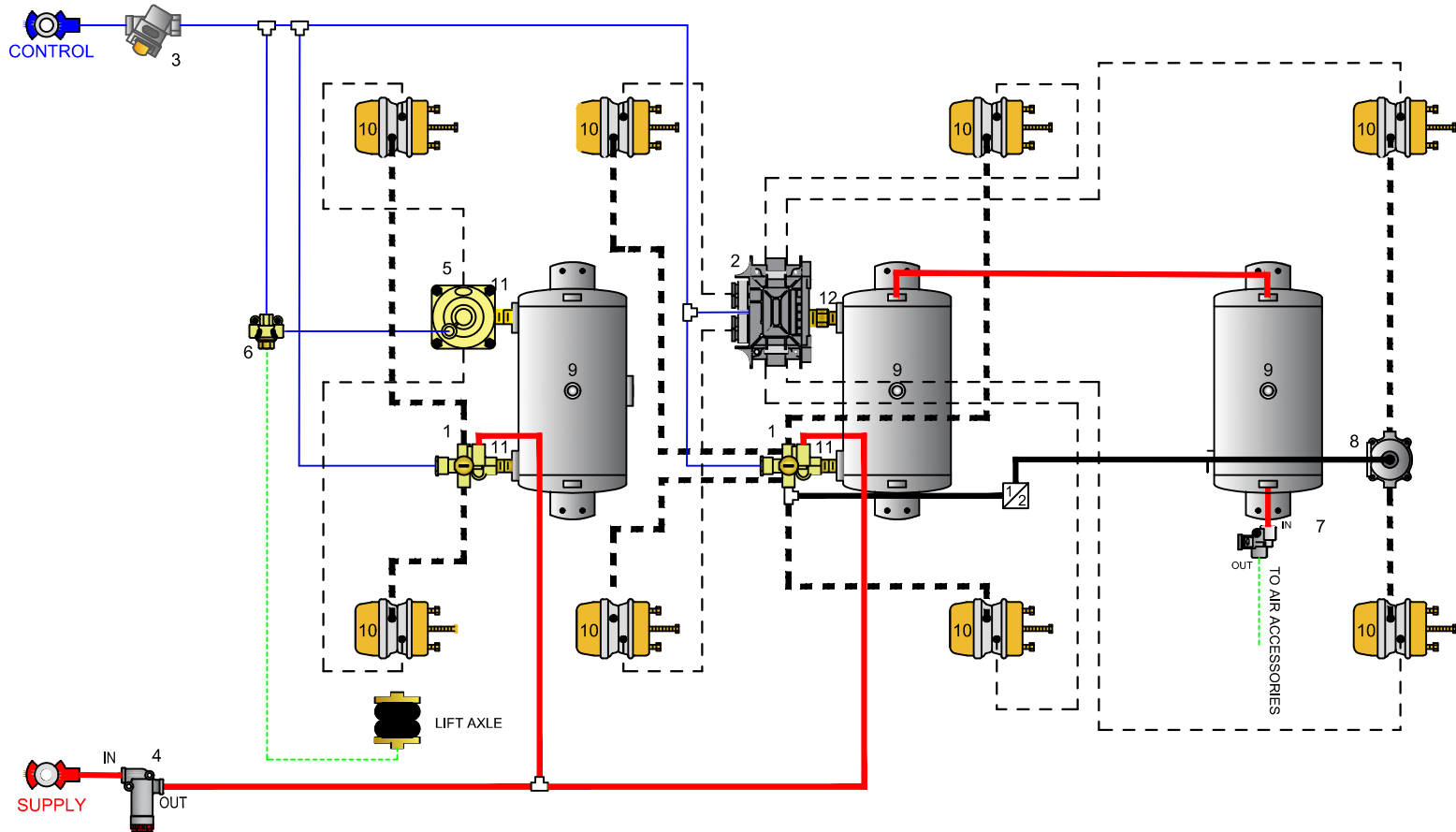


NO	DESCRIPTION	NO	DESCRIPTION
1	SEALCO NO. 110800 SPRING BRAKE CONTROL VALVE	7	SEALCO NO. 140270 PRESSURE PROTECTION VALVE
2	ZF WABCO NO. 400 500 103 0 ECU VALVE ASSEMBLY	8	SEALCO NO. 200001 QUICK RELEASE VALVE
3	ZF WABCO NO.432 500 005 0 CONTROL LINE FILTER	9	RESERVOIR - VOLUME TO BE AS PER FMVSS 121
4	SEALCO NO. 2550 LINE FILTER	10	SPRING BRAKE & SERVICE BRAKE CHAMBER
5	SEALCO NO. 110487 RELAY VALVE	11	616 1/2" X 3/4" NIPPLE OR 6002 1/2" X 1/2" NIPPLE
6	SEALCO NO. 780215 FREE WHEEL CONTROL VALVE	12	616 1/2" X 3/4" NIPPLE OR 6006 3/4" X 3/4" NIPPLE



VEHICLE COMPLIANCE & CERTIFICATION WITH ALL APPLICABLE FEDERAL, STATE & PROVINCIAL REGULATIONS INCLUDING FMVSS 121 & CMVSS 121 IS SOLELY THE RESPONSIBILITY OF THE VEHICLE MANUFACTURER

AIR SYSTEM REQUESTED BY:
TROUT RIVER

4S/2M ABS 4 AXLE SEMI

DRAWN BY: JD	CHECKED: -	DATE: 5-31-23	DRAWING NO: P-8101
------------------------	----------------------	-------------------------	------------------------------