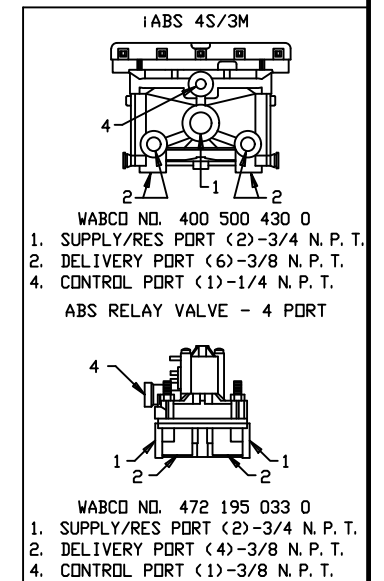
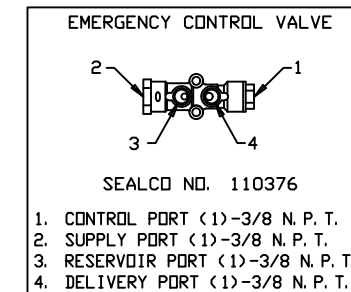
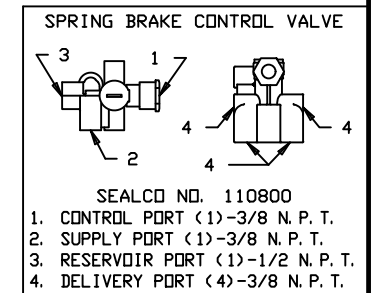
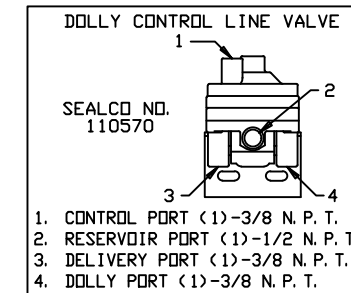
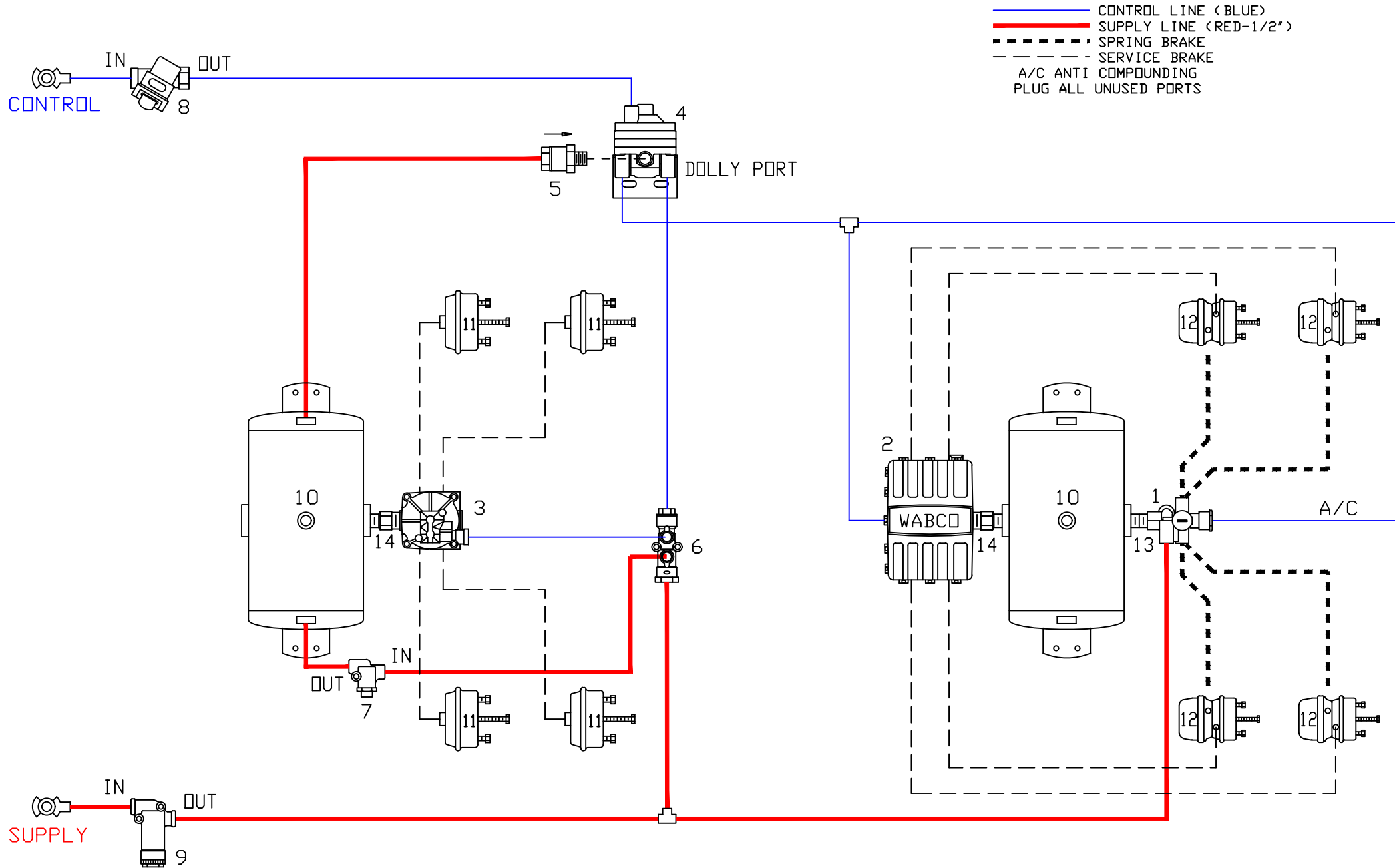


NO.	DESCRIPTION
1.	SEALCO NO. 110800 SPRING BRAKE CONTROL VALVE
2.	WABCO NO. 400 500 430 0 iABS VALVE
3.	WABCO NO. 472 195 033 0 ABS RELAY VALVE
4.	SEALCO NO. 110570 DOLLY CONTROL LINE VALVE
5.	SEALCO NO. 10200-1/2 ONE WAY CHECK VALVE
6.	SEALCO NO. 110376 EMERGENCY CONTROL VALVE
7.	SEALCO NO. 110257 EMERGENCY BRAKE PRESSURE PROTECTION
8.	WABCO NO. 432 500 005 0 CONTROL LINE FILTER
9.	SEALCO NO. 2550 LINE FILTER
10.	RESERVOIR - VOLUME TO BE AS PER FMVSS-121
11.	SERVICE BRAKE CHAMBER
12.	SPRING BRAKE & SERVICE BRAKE CHAMBER
13.	SEALCO NO. 616 1/2" X 3/4" DR 6002 1/2" X 1/2" NIPPLE
14.	SEALCO NO. 616 1/2" X 3/4" DR 6006 3/4" X 3/4" NIPPLE



VEHICLE COMPLIANCE & CERTIFICATION WITH ALL APPLICABLE FEDERAL, STATE & PROVINCIAL REGULATIONS INCLUDING FMVSS 121 AND CMVSS 121 IS SOLELY THE RESPONSIBILITY OF THE VEHICLE MANUFACTURER

AIR BRAKE DIAGRAM REQUESTED BY:

4 AXLE PUP TRAILER

DR: MG	CH: ZY	DATE: 1-13-2023	JOB NO: P-8078
--------	--------	-----------------	----------------