



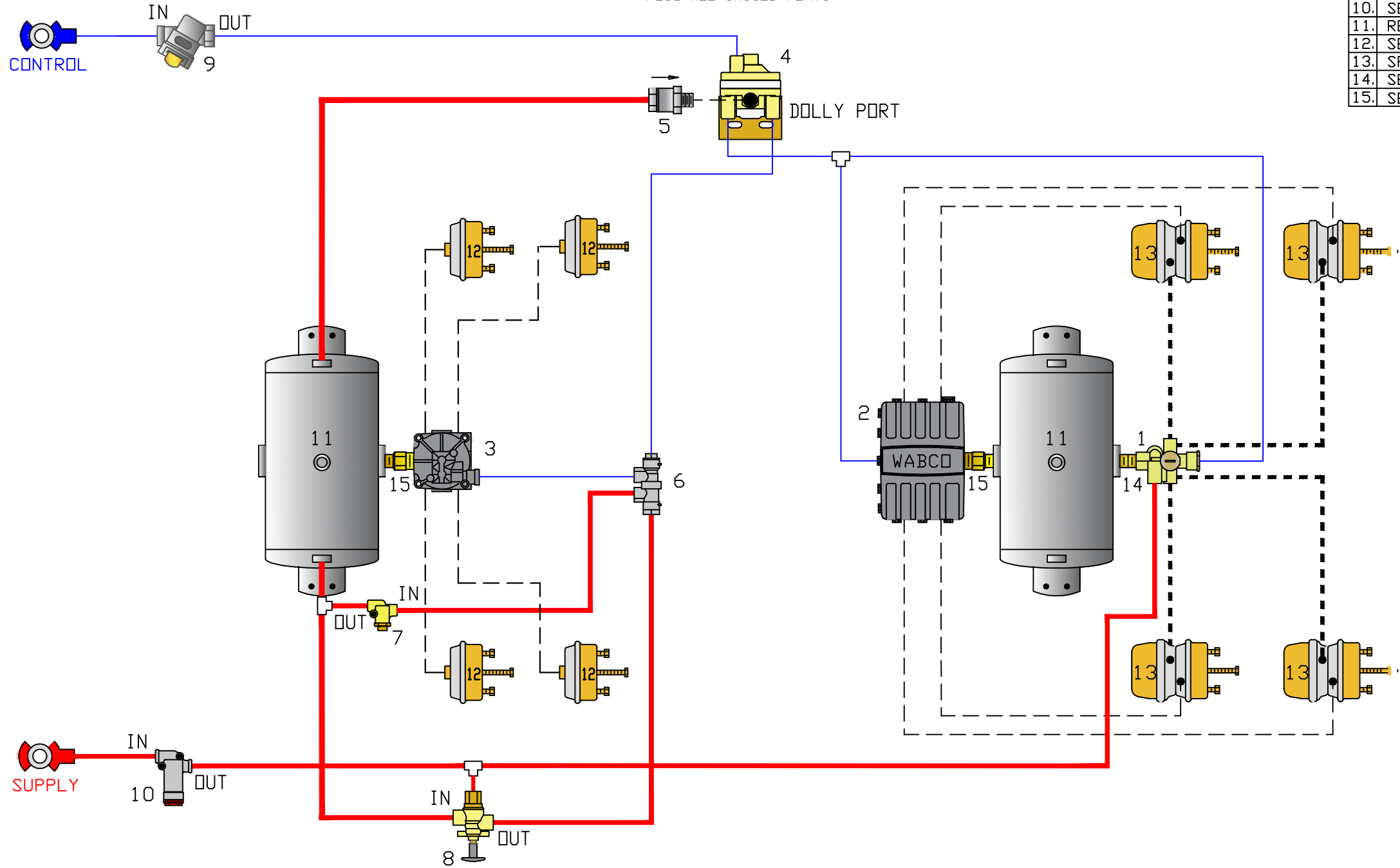
Sealco Commercial Vehicle Products

602-253-1007

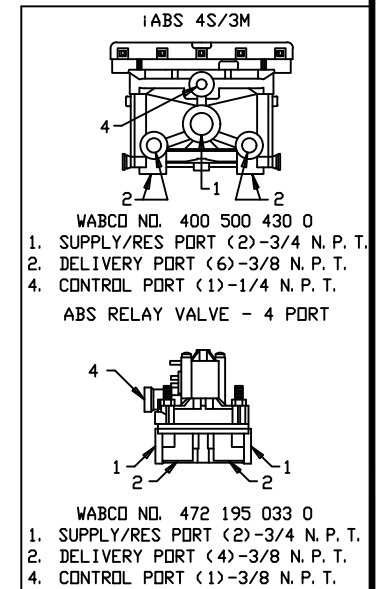
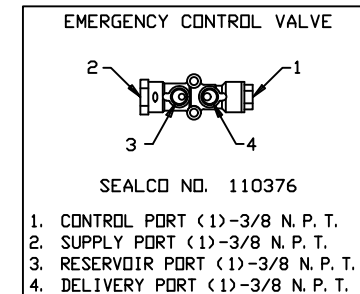
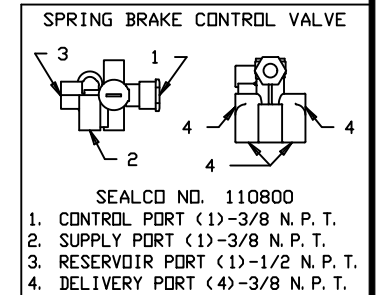
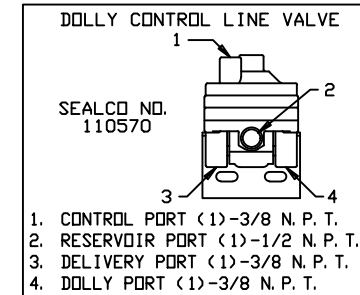
fax 800/222-2334

www.sealcovp.com

——— CONTROL LINE (BLUE-3/8") - - - - - SPRING BRAKE
 - - - - - CONTROL LINE (BLUE-1/2") - - - - - SERVICE BRAKE
 ——— SUPPLY LINE (RED-1/2")
 A/C ANTI-COMPOUNDING
 PLUG ALL UNUSED PORTS



NO.	DESCRIPTION
1.	SEALCO NO. 110800 SPRING BRAKE CONTROL VALVE
2.	WABCO NO. 400 500 430 0 iABS RELAY VALVE
3.	WABCO NO. 472 195 033 0 ABS RELAY VALVE
4.	SEALCO NO. 110580 CONTROL LINE VALVE
5.	SEALCO NO. 10200-1/2 ONE WAY CHECK VALVE
6.	SEALCO NO. 110376 EMERGENCY CONTROL VALVE
7.	SEALCO NO. 110257 EMERGENCY BRAKE PRESSURE PROTECTION
8.	SEALCO NO. 17600B EMERGENCY RELEASE VALVE
9.	WABCO NO. 432 500 005 0 CONTROL LINE FILTER
10.	SEALCO NO. 2550 LINE FILTER
11.	RESERVOIR - VOLUME TO BE AS PER FMVSS-121
12.	SERVICE BRAKE CHAMBER
13.	SPRING BRAKE & SERVICE BRAKE CHAMBER
14.	SEALCO NO. 616 1/2" X 3/4" OR 6002 1/2" X 1/2" NIPPLE
15.	SEALCO NO. 616 1/2" X 3/4" OR 6006 3/4" X 3/4" NIPPLE



VEHICLE COMPLIANCE & CERTIFICATION WITH ALL APPLICABLE FEDERAL, STATE & PROVINCIAL REGULATIONS INCLUDING FMVSS 121 AND CMVSS 121 IS SOLELY THE RESPONSIBILITY OF THE VEHICLE MANUFACTURER

AIR SYSTEM DIAGRAM REQUESTED BY:

FOUR (2+2) AXLE PULL TRAILER

DR: MG	CH: ZY	DATE: 1-12-2023	JOB NO: P-8076
-----------	-----------	--------------------	-------------------