



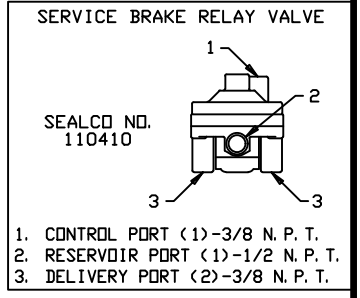
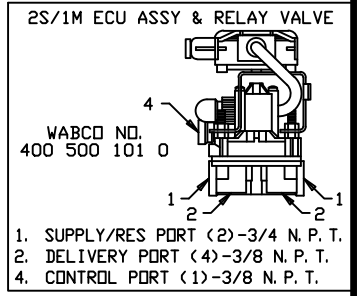
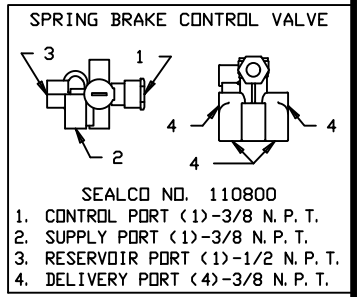
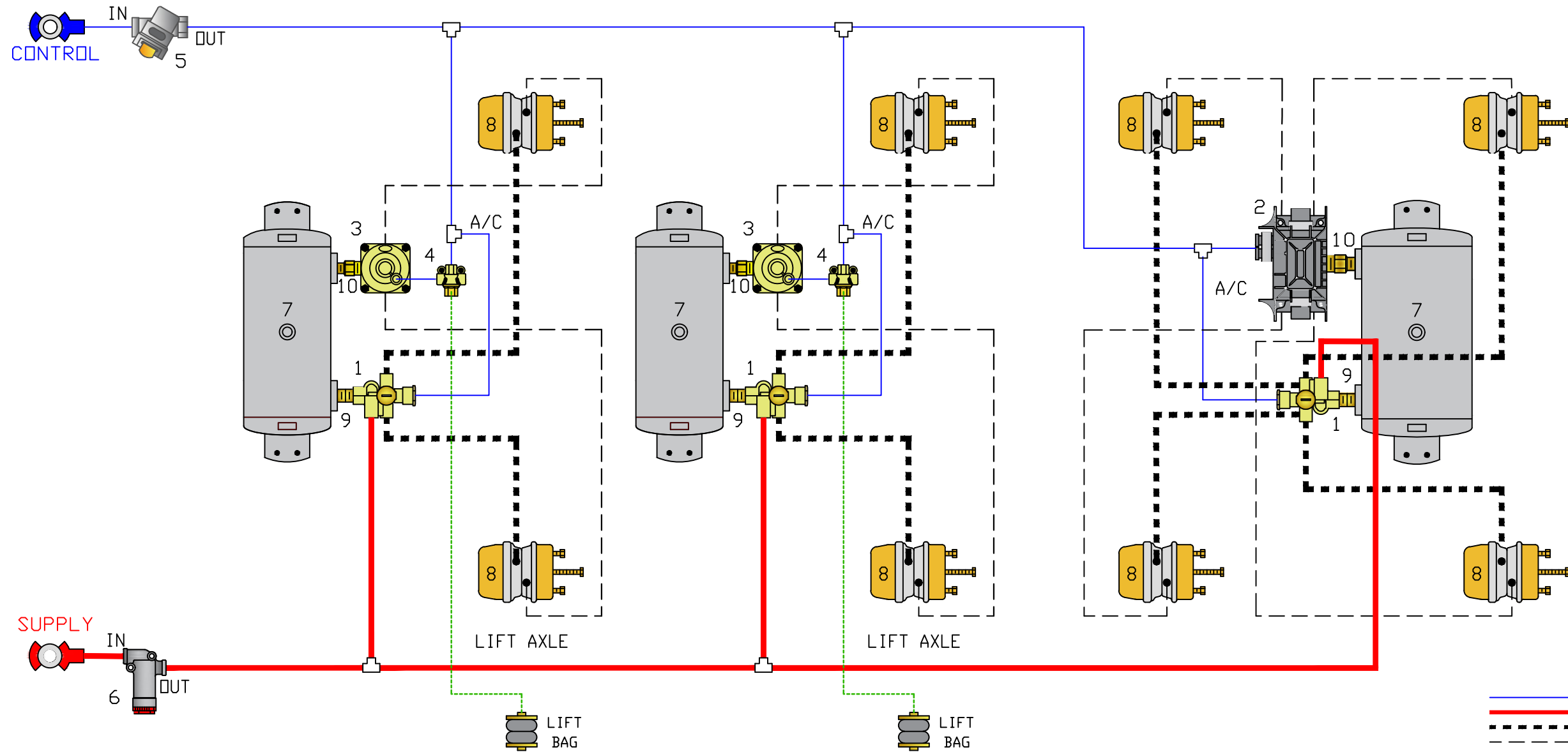
Sealco Commercial Vehicle Products

602-253-1007

fax 800/222-2334

www.sealcovp.com

NO.	DESCRIPTION
1.	SEALCO NO. 110800 SPRING BRAKE CONTROL VALVE
2.	WABCO NO. 400 500 101 0 ECU ASSEMBLY & RELAY VALVE
3.	SEALCO NO. 110410 RELAY VALVE
4.	SEALCO NO. 780215 FREE WHEEL CONTROL VALVE FOR LIFT AXLE
5.	WABCO NO. 432 500 005 0 CONTROL LINE VALVE
6.	SEALCO NO. 2550 LINE FILTER
7.	RESERVOIR - VOLUME TO BE AS PER FMVSS-121
8.	SPRING BRAKE & SERVICE BRAKE CHAMBER
9.	SEALCO NO. 616 1/2" X 3/4" OR 6002 1/2" x 3/4" NIPPLE
10.	SEALCO NO. 616 1/2" X 3/4" OR 6006 3/4" x 3/4" NIPPLE



— CONTROL LINE (BLUE-3/8")  
 — SUPPLY LINE (RED-1/2")  
 - - - SPRING BRAKE  
 - - - SERVICE BRAKE  
 . . . LIFT BAG  
 A/C ANTI COMPOUNDING  
 PLUG ALL UNUSED PORTS

VEHICLE COMPLIANCE & CERTIFICATION WITH ALL APPLICABLE FEDERAL, STATE & PROVINCIAL REGULATIONS INCLUDING FMVSS 121 AND CMVSS 121 IS SOLELY THE RESPONSIBILITY OF THE VEHICLE MANUFACTURER

AIR SYSTEM DIAGRAM REQUESTED BY:  
 TROUT RIVER

2S/1M ABS 4 AXLE TRAILER WITH 2 LIFT AXLES

DR: MG	CH: ZY	DATE: 1-6-2023	JOB NO: P-8072
--------	--------	----------------	----------------