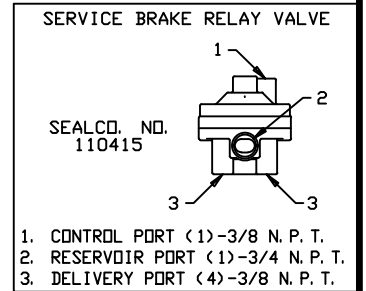
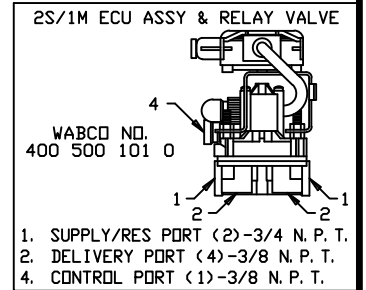
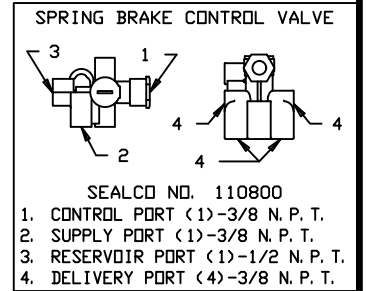
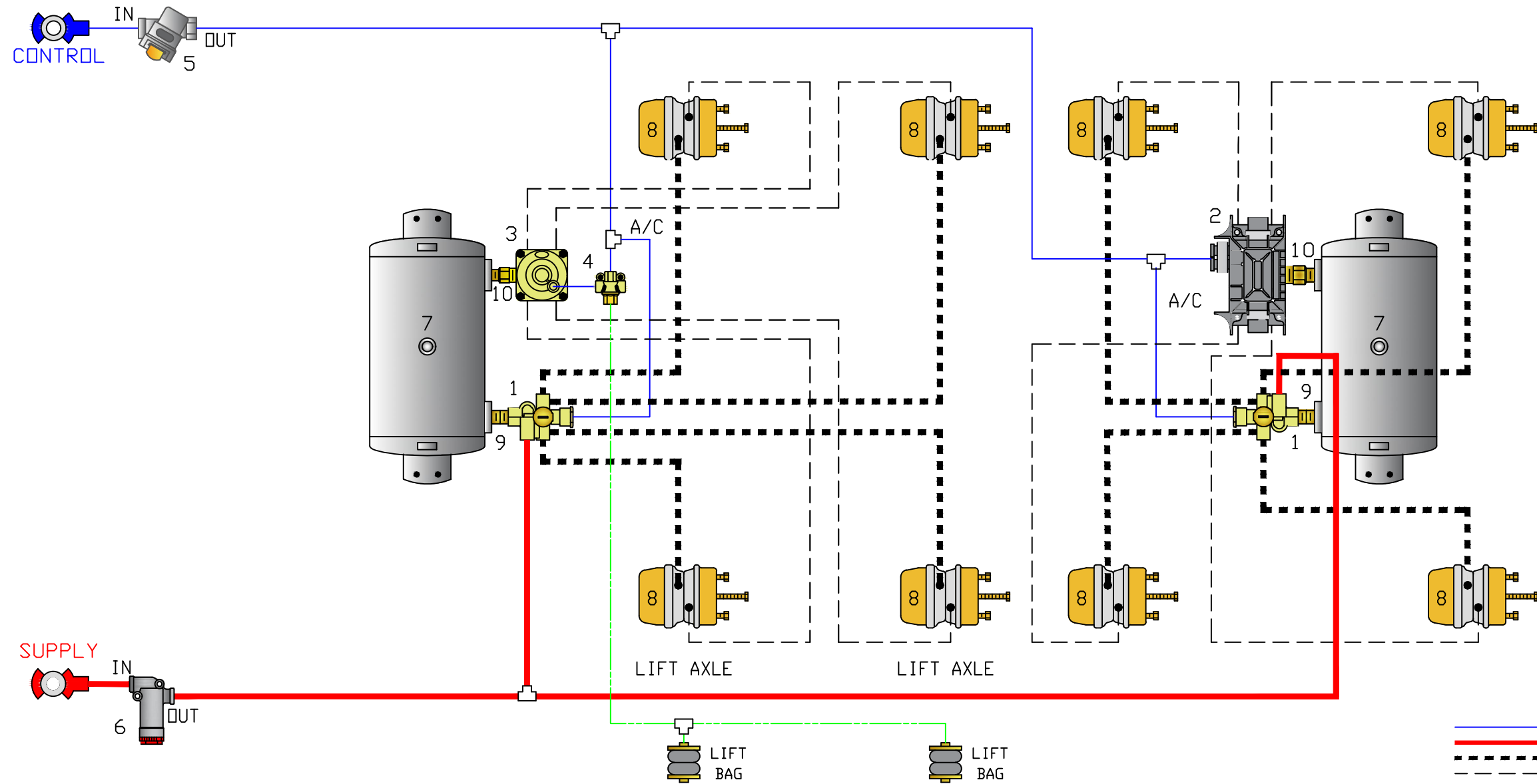




NO.	DESCRIPTION
1.	SEALCO NO. 110800 SPRING BRAKE CONTROL VALVE
2.	WABCO NO. 400 500 101 0 ECU ASSEMBLY & RELAY VALVE
3.	SEALCO NO. 110415 RELAY VALVE
4.	SEALCO NO. 780215 FREE WHEEL CONTROL VALVE FOR LIFT AXLE
5.	WABCO NO. 432 500 005 0 CONTROL LINE VALVE
6.	SEALCO NO. 2550 LINE FILTER
7.	RESERVOIR - VOLUME TO BE AS PER FMVSS-121
8.	SPRING BRAKE & SERVICE BRAKE CHAMBER
9.	SEALCO NO. 616 1/2" X 3/4" OR 6002 1/2" x 3/4" NIPPLE
10.	SEALCO NO. 616 1/2" X 3/4" OR 6006 3/4" x 3/4" NIPPLE

NOTE:

AXLES NO. 1 AND 2 RAISE AND LOWER SIMULTANEDUSLY. IN THE RAISED POSITION THEY WILL NOT GENERATE ANY BRAKING FORCE.



- CONTROL LINE (BLUE-3/8")
- SUPPLY LINE (RED-1/2")
- - - - - SPRING BRAKE
- . - . - SERVICE BRAKE
- LIFT BAG
- A/C ANTI COMPUNDING
- PLUG ALL UNUSED PORTS

VEHICLE COMPLIANCE & CERTIFICATION WITH ALL APPLICABLE FEDERAL, STATE & PROVINCIAL REGULATIONS INCLUDING FMVSS 121 AND CMVSS 121 IS SOLELY THE RESPONSIBILITY OF THE VEHICLE MANUFACTURER

AIR SYSTEM DIAGRAM REQUESTED BY: --

2S/1M ABS 4 AXLE 30' TRAILER WITH 2 LIFT AXLES			
DR: MG	CH: ZY	DATE: 12-15-2022	JOB NO: P-8068