



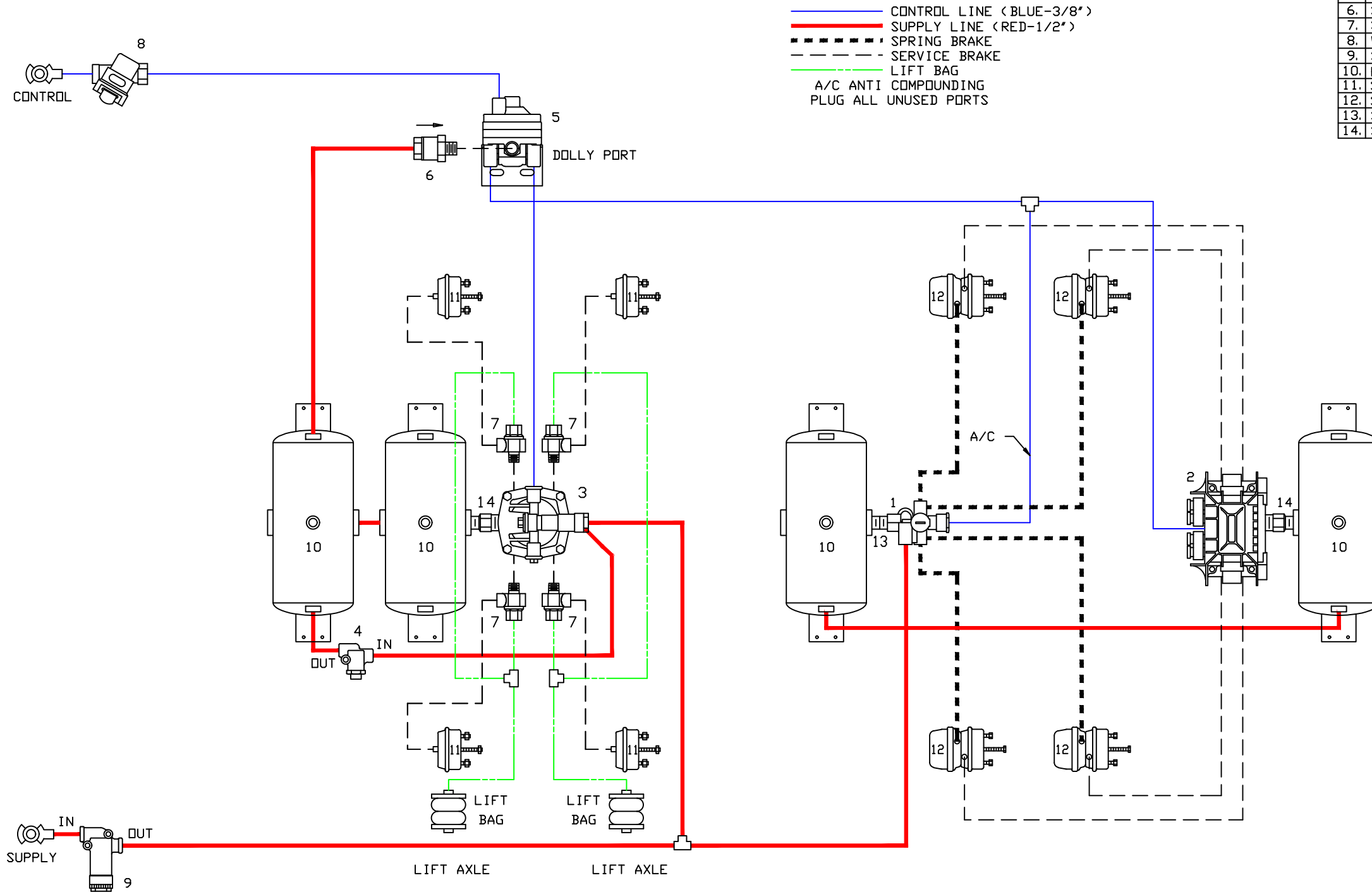
Sealco Commercial Vehicle Products

602-253-1007

fax 800/222-2334

www.sealcovp.com

NO.	DESCRIPTION
1.	SEALCO NO. 110800 SPRING BRAKE CONTROL VALVE
2.	WABCO NO. 400 500 103 0 PREMIUM ECU ASSEMBLY
3.	SEALCO NO. 110338 DOLLY RELAY EMERGENCY VALVE
4.	SEALCO NO. 110257 EMERGENCY BRAKE PRESSURE PROTECTION
5.	SEALCO NO. 110570 DOLLY CONTROL LINE VALVE
6.	SEALCO NO. 10200-1/2 ONE-WAY CHECK VALVE
7.	SEALCO NO. 780115 FREE WHEEL VALVE FOR LIFT AXLE
8.	WABCO NO. 432 500 005 0 CONTROL LINE VALVE
9.	SEALCO NO. 2550 LINE FILTER
10.	RESERVOIR - VOLUME TO BE AS PER FMVSS-121
11.	SERVICE BRAKE CHAMBER
12.	SPRING BRAKE & SERVICE BRAKE CHAMBER
13.	SEALCO NO. 616 1/2" X 3/4" DR 6002 1/2" X 1/2" NIPPLE
14.	SEALCO NO. 616 1/2" X 3/4" DR 6006 3/4" X 3/4" NIPPLE



SPRING BRAKE CONTROL VALVE

SEALCO NO. 110800

- CONTROL PORT (1)-3/8 N.P.T.
- SUPPLY PORT (1)-3/8 N.P.T.
- RESERVOIR PORT (1)-1/2 N.P.T.
- DELIVERY PORT (4)-3/8 N.P.T.

PREMIUM ECU & DOUBLE MODULATOR ASSEMBLY

YE1 YE2 SENSORS, BU1 BU2 SENSORS

MERITOR WABCO NO. 400 500 103 0

- SUPPLY/RES PORT (2)-3/4 N.P.T.
- DELIVERY PORT (6)-3/8 N.P.T.
- CONTROL PORT (1)-1/4 N.P.T.

DOLLY RELAY EMERGENCY VALVE

SEALCO NO. 110338

- CONTROL PORT (2)-3/8 N.P.T.
- SUPPLY PORT (IN) (1)-3/8 N.P.T.
- SUPPLY PORT (OUT) (1)-3/8 N.P.T.
- RESERVOIR PORT (1)-3/4 N.P.T.
- DELIVERY PORT (4)-3/8 N.P.T.

DOLLY CONTROL LINE VALVE

SEALCO NO. 110570

- CONTROL PORT (1)-3/8 N.P.T.
- RESERVOIR PORT (1)-1/2 N.P.T.
- DELIVERY PORT (1)-3/8 N.P.T.
- DOLLY PORT (1)-3/8 N.P.T.

VEHICLE COMPLIANCE & CERTIFICATION WITH ALL APPLICABLE FEDERAL, STATE & PROVINCIAL REGULATIONS INCLUDING FMVSS 121 AND CMVSS 121 IS SOLELY THE RESPONSIBILITY OF THE VEHICLE MANUFACTURER

AIR SYSTEM DIAGRAM REQUESTED BY:
 TROUT RIVER INDUSTRIES

4 AXLE TRAILER W/ 2 LIFT AXLES

DR: MG	CH: ZY	DATE: 11-29-2022	JOB NO: P-8063
--------	--------	------------------	----------------