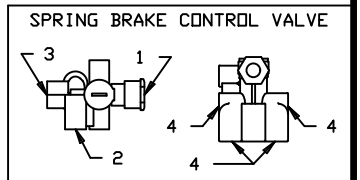
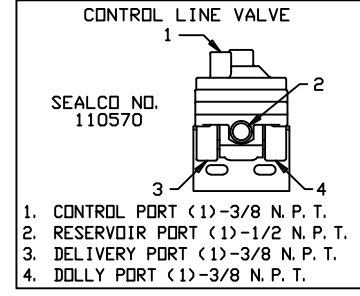
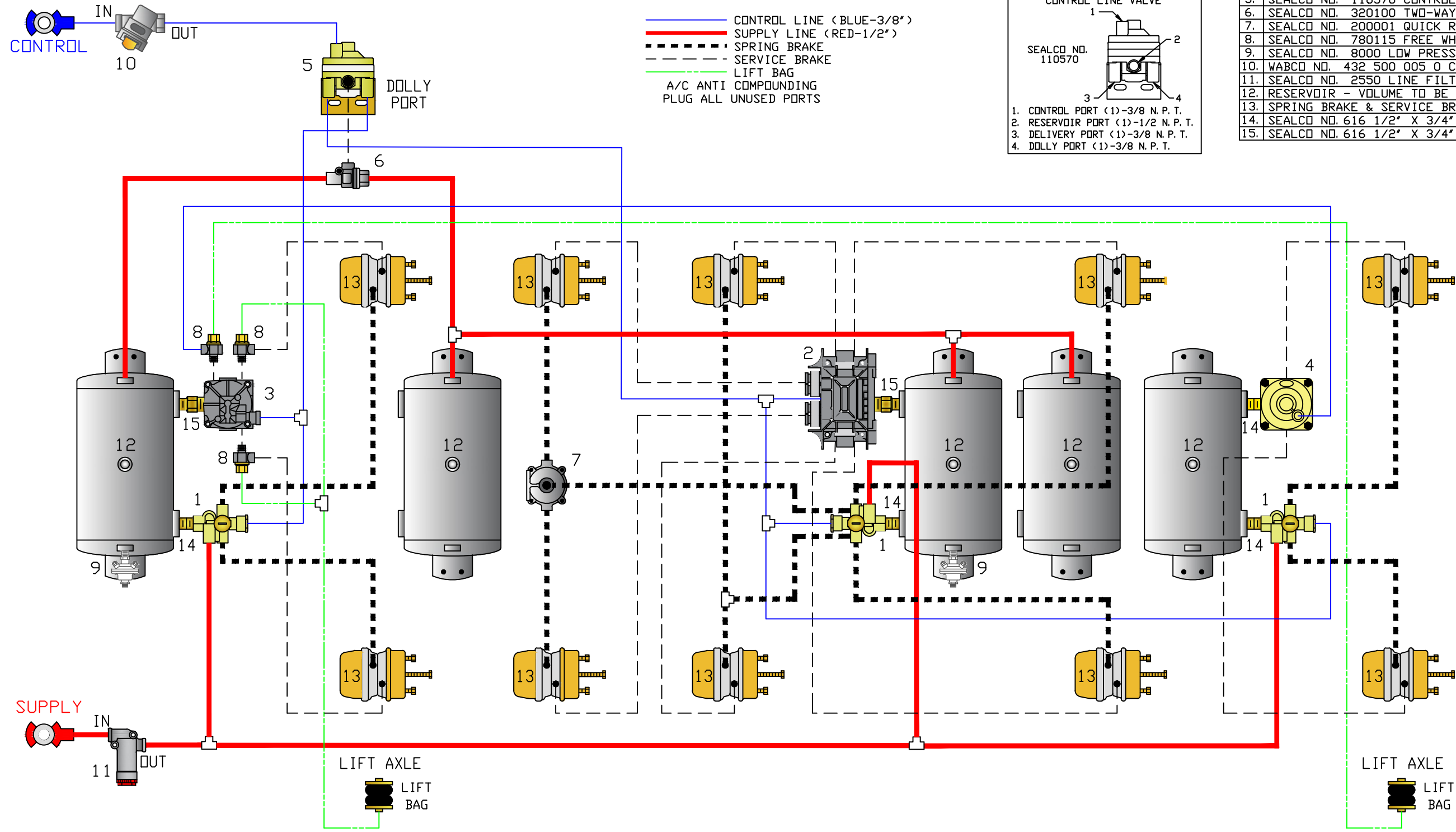
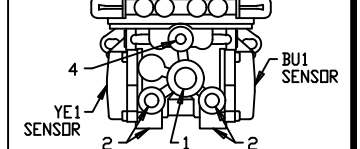


NO.	DESCRIPTION
1.	SEALCO NO. 110800 SPRING BRAKE CONTROL VALVE
2.	WABCO NO. 400 500 103 0 ECU VALVE ASSEMBLY
3.	WABCO NO. 432 195 033 0 ABS RELAY VALVE
4.	SEALCO NO. 110360 RELAY VALVE
5.	SEALCO NO. 110570 CONTROL LINE VALVE
6.	SEALCO NO. 320100 TWO-WAY CHECK VALVE
7.	SEALCO NO. 200001 QUICK RELEASE VALVE
8.	SEALCO NO. 780115 FREE WHEEL LIFT AXLE VALVE
9.	SEALCO NO. 8000 LOW PRESSURE INDICATOR SWITCH
10.	WABCO NO. 432 500 005 0 CONTROL LINE VALVE
11.	SEALCO NO. 2550 LINE FILTER
12.	RESERVOIR - VOLUME TO BE AS PER FMVSS-121
13.	SPRING BRAKE & SERVICE BRAKE CHAMBER
14.	SEALCO NO. 616 1/2" X 3/4" DR 6002 1/2" X 1/2" NIPPLE
15.	SEALCO NO. 616 1/2" X 3/4" DR 6006 3/4" X 3/4" NIPPLE



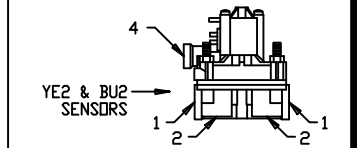
SEALCO NO. 110800  
 1. CONTROL PORT (1)-3/8 N. P. T.  
 2. SUPPLY PORT (1)-3/8 N. P. T.  
 3. RESERVOIR PORT (1)-1/2 N. P. T.  
 4. DELIVERY PORT (4)-3/8 N. P. T.

PREMIUM ECU & DOUBLE MODULATOR ASSEMBLY AS 4S/3M



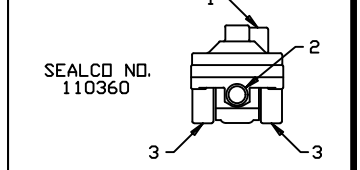
MERITOR WABCO NO. 400 500 103 0  
 1. SUPPLY/RES PORT (2)-3/4 N. P. T.  
 2. DELIVERY PORT (4)-3/8 N. P. T.  
 4. CONTROL PORT (1)-1/4 N. P. T.

ABS RELAY VALVE - 4 PORT



MERITOR WABCO NO. 432 195 033 0  
 1. SUPPLY/RES PORT (2)-3/4 N. P. T.  
 2. DELIVERY PORT (4)-3/8 N. P. T.  
 4. CONTROL PORT (1)-1/4 N. P. T.

SERVICE BRAKE RELAY VALVE



SEALCO NO. 110360  
 1. CONTROL PORT (1)-3/8 N. P. T.  
 2. RESERVOIR PORT (1)-1/2 N. P. T.  
 3. DELIVERY PORT (2)-3/8 N. P. T.

VEHICLE COMPLIANCE & CERTIFICATION WITH ALL APPLICABLE FEDERAL, STATE & PROVINCIAL REGULATIONS INCLUDING FMVSS 121 AND CMVSS 121 IS SOLELY THE RESPONSIBILITY OF THE VEHICLE MANUFACTURER

AIR SYSTEM DIAGRAM REQUESTED BY: --

SPIF 4S/3M ABS 5 AXLE (1+3+1) SEMI TRAILER W/ 2 LIFT AXLES

DR: MG	CH: ZY	DATE: 11-14-2022	JOB NO: P-8061
--------	--------	------------------	----------------