



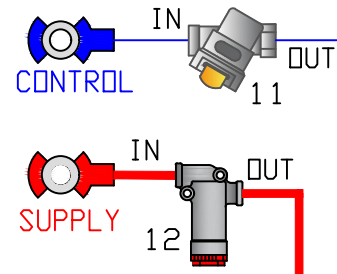
Sealco Commercial Vehicle Products

602-253-1007

fax 800/222-2334

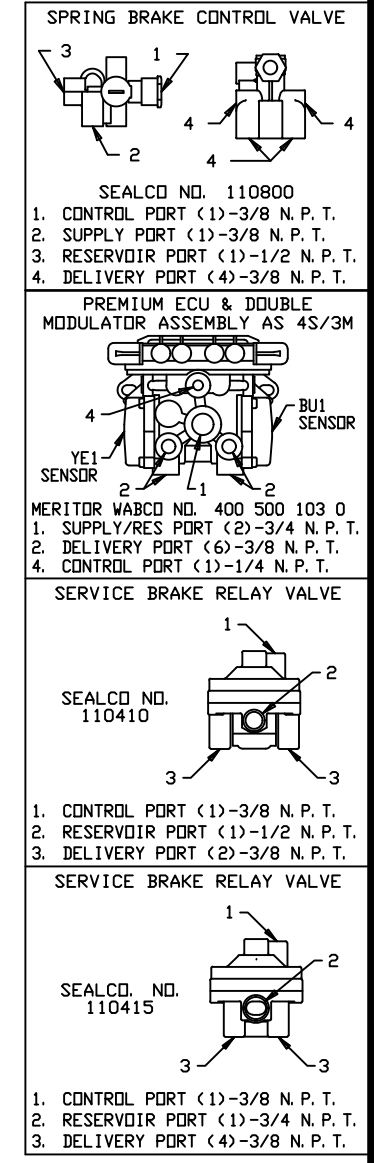
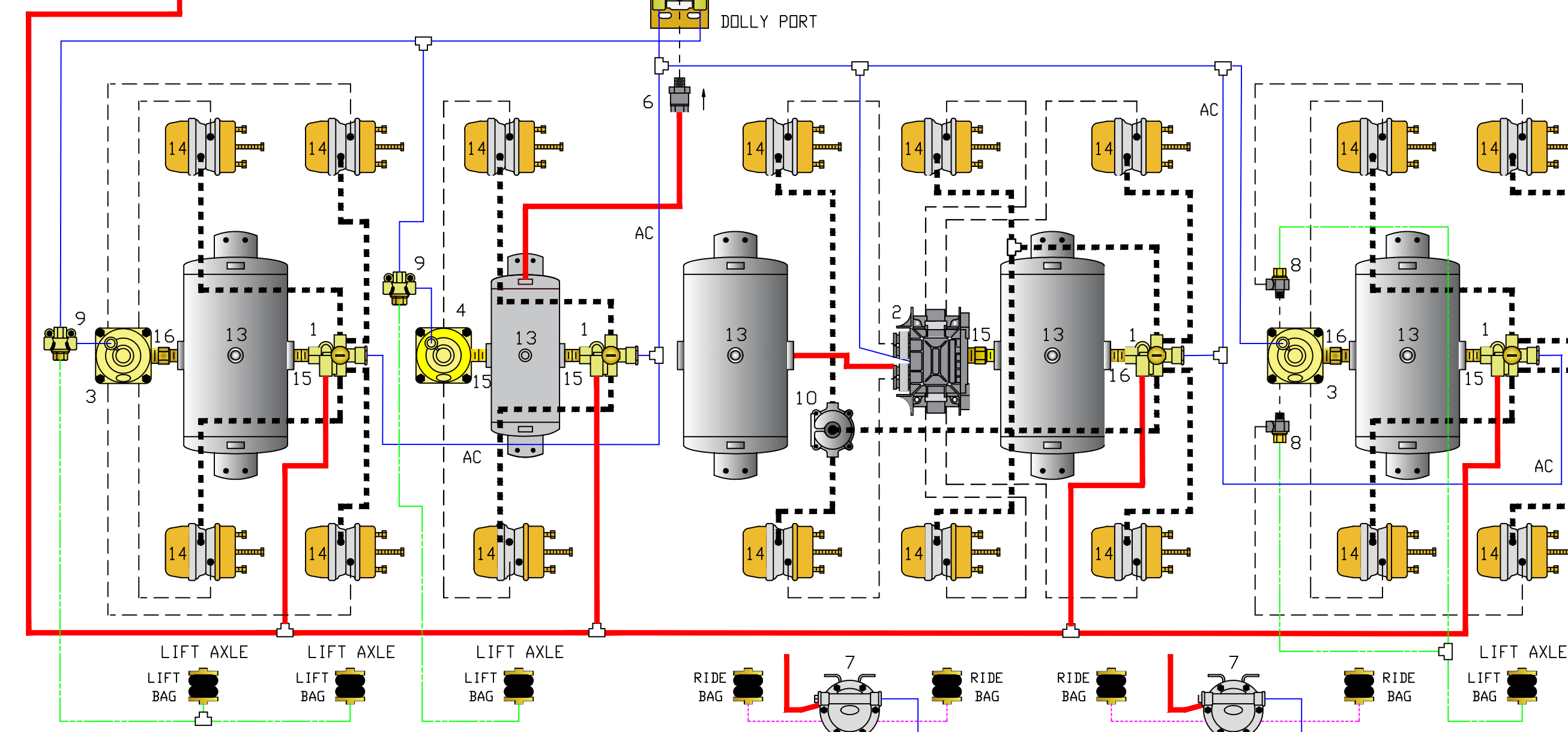
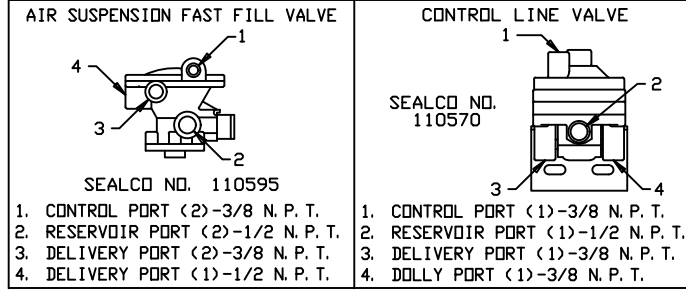
www.sealcovp.com

NO.	DESCRIPTION
1.	SEALCO NO. 110800 SPRING BRAKE CONTROL VALVE
2.	WABCO NO. 400 500 103 0 ECU VALVE ASSEMBLY
3.	SEALCO NO. 110415 RELAY VALVE
4.	SEALCO NO. 110410 RELAY VALVE
5.	SEALCO NO. 110570 CONTROL LINE VALVE - OPTIONAL
6.	SEALCO NO. 320100 TWO-WAY CHECK VALVE
7.	SEALCO NO. 110595 FAST FILL VALVE
8.	SEALCO NO. 780115 FREE WHEEL LIFT AXLE VALVE
9.	SEALCO NO. 780215 FREE WHEEL LIFT AXLE VALVE
10.	SEALCO NO. 200001 QUICK RELEASE VALVE
11.	WABCO NO. 432 500 005 0 CONTROL LINE FILTER
12.	SEALCO NO. 2550 LINE FILTER
13.	RESERVOIR - VOLUME TO BE AS PER FMVSS-121
14.	SPRING BRAKE & SERVICE BRAKE CHAMBER
15.	SEALCO NO. 616 1/2" X 3/4" OR 6002 1/2" X 1/2" NIPPLE
16.	SEALCO NO. 616 1/2" X 3/4" OR 6006 3/4" X 3/4" NIPPLE



— CONTROL LINE (BLUE-3/8")  
 — SUPPLY LINE (RED-1/2")  
 - - - SPRING BRAKE  
 - - - SERVICE BRAKE  
 - - - LIFT BAG  
 - - - RIDE BAG  
 - - - A/C ANTI COMPOUNDING  
 PLUG ALL UNUSED PORTS

NOTE:  
 AXLES 1 AND 2 ARE OPERATED TOGETHER, WITH OR WITHOUT AXLE 3. AXLE 3 MAY BE OPERATED INDEPENDENTLY.



VEHICLE COMPLIANCE & CERTIFICATION WITH ALL APPLICABLE FEDERAL, STATE & PROVINCIAL REGULATIONS INCLUDING FMVSS 121 AND CMVSS 121 IS SOLELY THE RESPONSIBILITY OF THE VEHICLE MANUFACTURER

AIR SYSTEM DIAGRAM REQUESTED BY: --

110595 LEGEND  
 — FROM MANUAL CONTROL VALVE  
 — FROM ISOLATED RESERVOIR  
 - - - DELIVERY TO RIDE BAG

8 AXLE TRAILER W/ 4 LIFT AXLES AND 4S/2M

DR: MG	CH: ZY	DATE: 11-9-2022	JOB NO: P-8060
--------	--------	-----------------	----------------