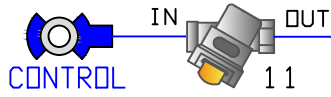




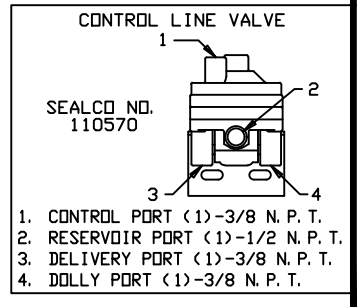
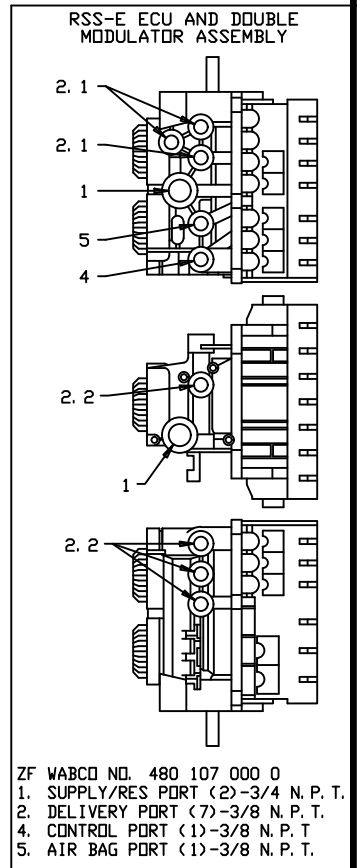
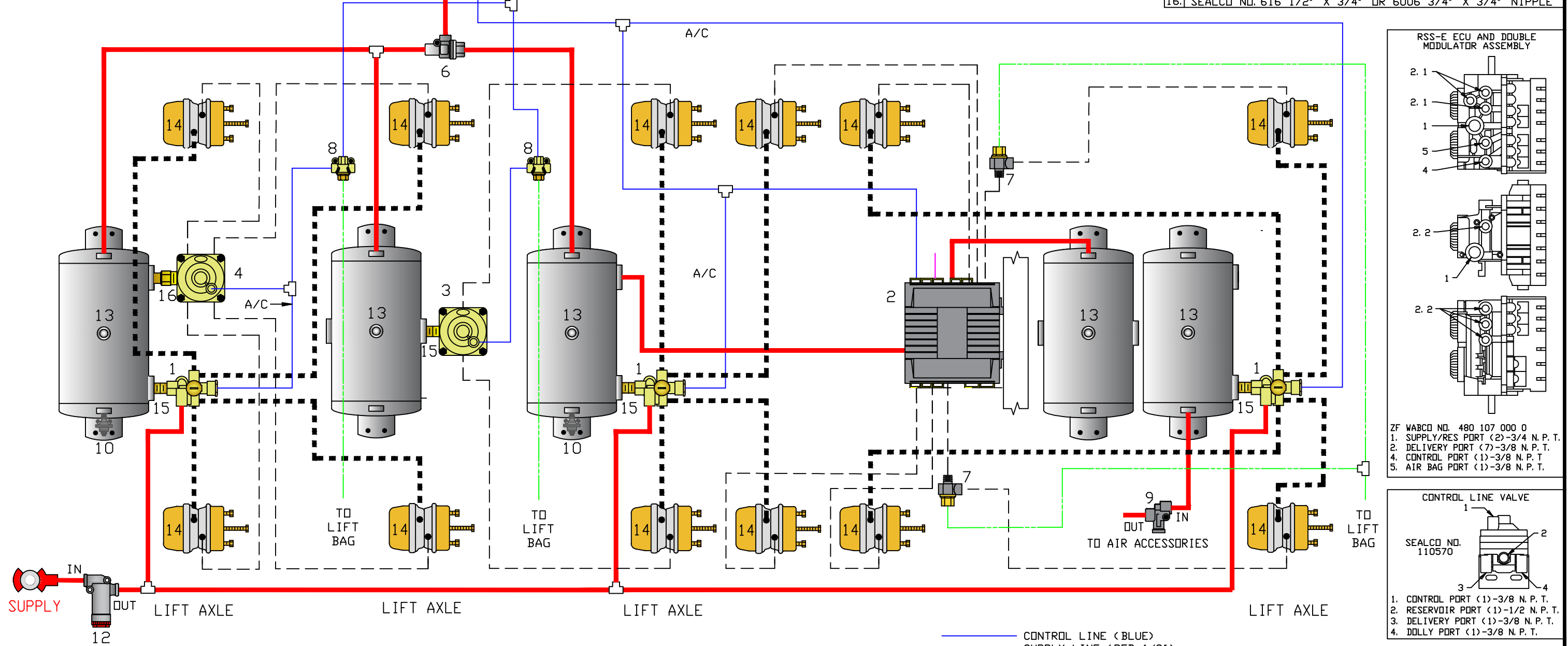
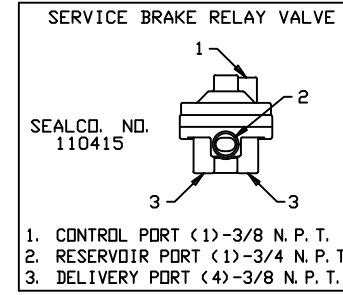
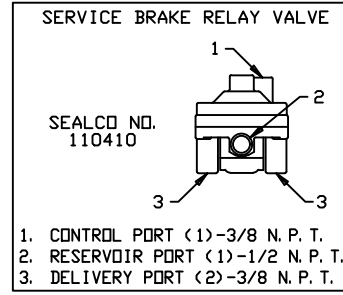
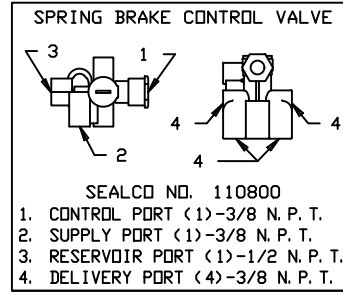
Sealco Commercial Vehicle Products

602-253-1007 fax 800/222-2334 www.sealcovp.com

NO.	DESCRIPTION
1.	SEALCO NO. 110800 SPRING BRAKE CONTROL VALVE
2.	WABCO NO. 480 170 000 0 RSS ECU ASSEMBLY
3.	SEALCO NO. 110410 RELAY VALVE - 2 PORT
4.	SEALCO NO. 110415 RELAY VALVE - 4 PORT
5.	SEALCO NO. 110570 DOLLY CONTROL LINE VALVE
6.	SEALCO NO. 320100 TWO-WAY CHECK VALVE
7.	SEALCO NO. 780115 FREE WHEEL SINGLE DELIVERY
8.	SEALCO NO. 780215 FREE WHEEL DUAL DELIVERY
9.	SEALCO NO. 140270 PRESSURE PROTECTION VALVE
10.	SEALCO NO. 8000 LOW PRESSURE INDICATOR SWITCH
11.	WABCO NO. 432 500 005 0 CONTROL LINE FILTER
12.	SEALCO NO. 2550 LINE FILTER
13.	RESERVOIR - VOLUME TO BE AS PER FMVSS-121
14.	SPRING BRAKE & SERVICE BRAKE CHAMBER
15.	SEALCO NO. 616 1/2" X 3/4" OR 6002 1/2" X 1/2" NIPPLE
16.	SEALCO NO. 616 1/2" X 3/4" OR 6006 3/4" X 3/4" NIPPLE



NOTE: THE NO. 1 AND NO. 2 AXLES WILL LIFT AND LOWER SIMULTANEOUSLY AND WILL BE FREE WHEELING WHEN THESE AXLES ARE RAISED.



VEHICLE COMPLIANCE & CERTIFICATION WITH ALL APPLICABLE FEDERAL, STATE & PROVINCIAL REGULATIONS INCLUDING FMVSS 121 AND CMVSS 121 IS SOLELY THE RESPONSIBILITY OF THE VEHICLE MANUFACTURER

AIR SYSTEM DIAGRAM REQUESTED BY: --

— CONTROL LINE (BLUE)  
 — SUPPLY LINE (RED-1/2")  
 - - - - - SPRING BRAKE  
 . . . . . SERVICE BRAKE  
 A/C ANTI COMPOUNDING  
 PLUG ALL UNUSED PORTS

6 AXLE WITH RSS SEMI TRAILER			
DR: MG	CH: ZY	DATE: 9-2-2022	JOB NO: P-8043