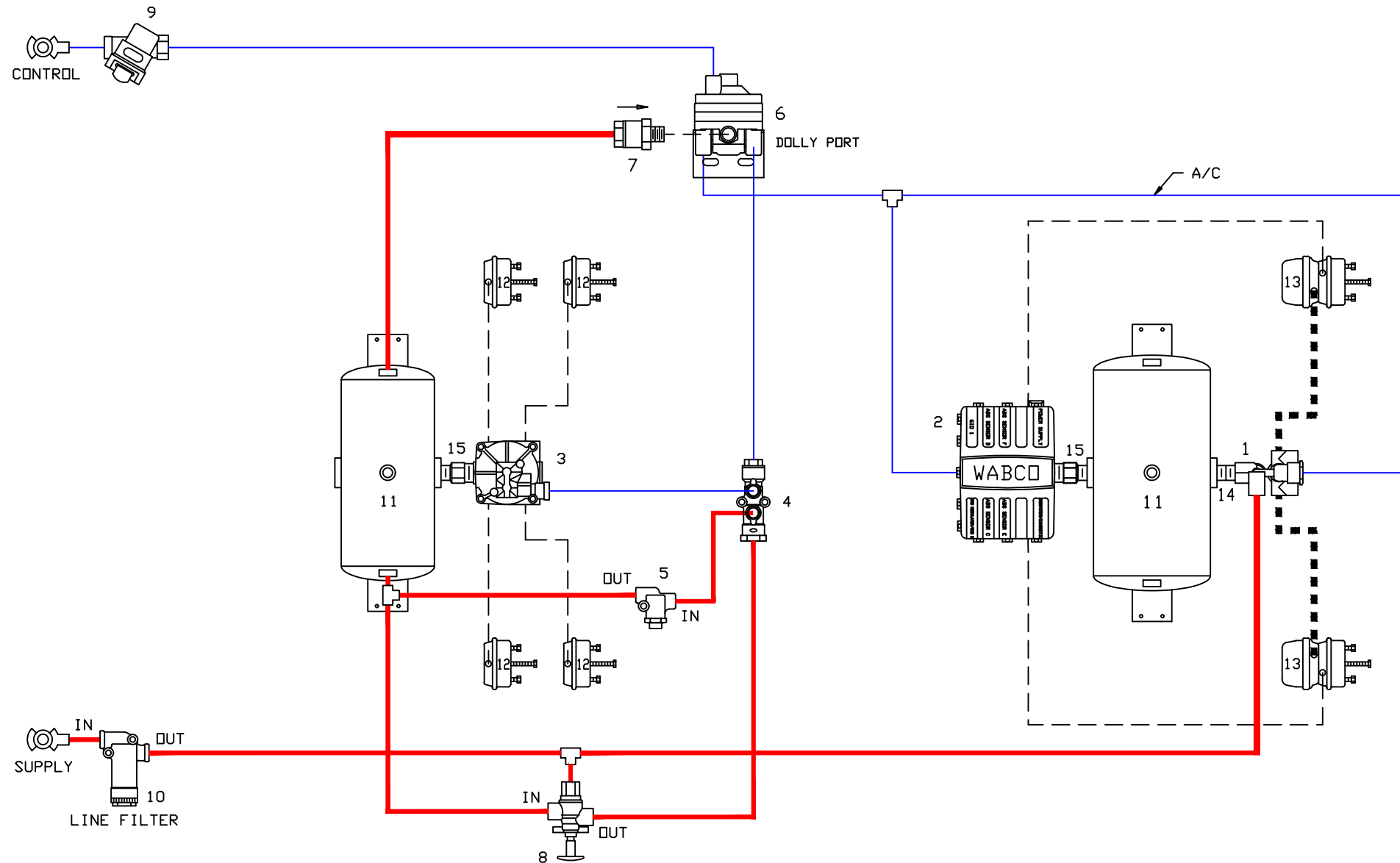


NO.	DESCRIPTION
1.	SEALCO NO. 110500 SPRING BRAKE CONTROL VALVE
2.	WABCO NO. 400 500 430 0 ABS
3.	WABCO NO. 472 195 033 0 ABS RELAY VALVE
4.	SEALCO NO. 110376 EMERGENCY CONTROL VALVE
5.	SEALCO NO. 110257 EMERGENCY BRAKE PRESSURE PROTECTION
6.	SEALCO NO. 110570 DOLLY CONTROL LINE VALVE
7.	SEALCO NO. 10200-1/2 ONE-WAY CHECK VALVE
8.	SEALCO NO. 17600B EMERGENCY RELEASE VALVE
9.	WABCO NO. 432 500 005 0 CONTROL LINE FILTER
10.	SEALCO NO. 2550 LINE FILTER
11.	RESERVOIR - VOLUME TO BE AS PER FMVSS 121
12.	SERVICE BRAKE CHAMBER
13.	SPRING BRAKE & SERVICE BRAKE CHAMBER
14.	SEALCO NO. 6002 NIPPLE FOR 1/2 N. P. T. TANK PORT SEALCO NO. 6003 NIPPLE FOR 3/4 N. P. T. TANK PORT
15.	SEALCO NO. 616 NIPPLE FOR 1/2 N. P. T. TANK PORT SEALCO NO. 6006 NIPPLE FOR 3/4 N. P. T. TANK PORT



**SPRING BRAKE PRIORITY
4S/3M**

- CONTROL LINE (BLUE)
- SUPPLY LINE (RED-1/2")
- - - - SPRING BRAKE
- · · · · SERVICE BRAKE
- A/C ANTI COMPOUNDING
- PLUG ALL UNUSED PORTS

VEHICLE COMPLIANCE & CERTIFICATION WITH ALL APPLICABLE FEDERAL, STATE & PROVINCIAL REGULATIONS INCLUDING FMVSS 121 AND CMVSS 121 IS SOLELY THE RESPONSIBILITY OF THE VEHICLE MANUFACTURER

AIR BRAKE DIAGRAM REQUESTED BY:

2+1 AXLE PULL TRAILER

DR: MG	CH:	DATE: 8-5-2022	DRAWING NO: P-8036
--------	-----	----------------	--------------------