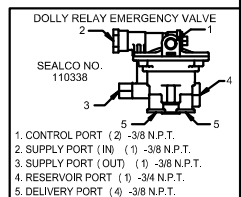
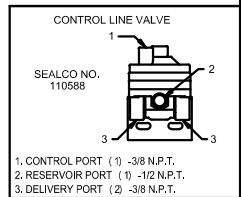
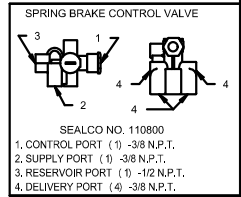
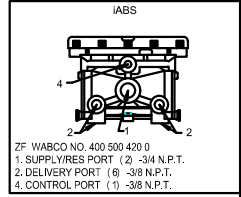
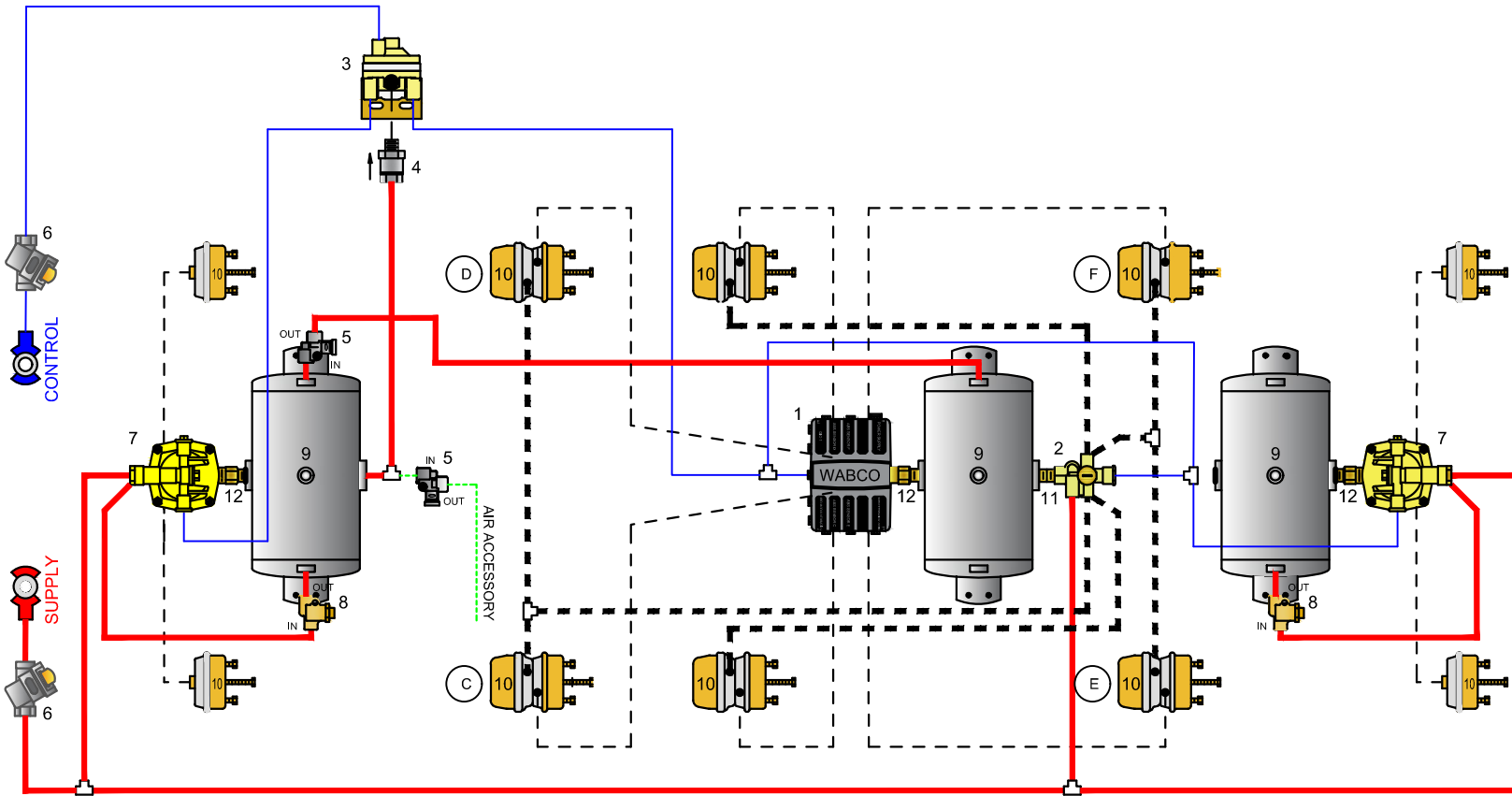


CONTROL LINE TUBE	SERVICE BRAKE HOSE	OTHER
SUPPLY LINE TUBE	SPRING BRAKE HOSE	OTHER
SUPPLY LINE TUBE 1/2" & CONTROL LINE TUBE IS 3/8" UNLESS OTHERWISE NOTED		

NO.	DESCRIPTION	NO.	DESCRIPTION
1	ZF WABCO NO.400 500 420 0 iABS	8	SEALCO NO. 110257 EMERGENCY BRAKE PRESSURE PROTECTION VALVE
2	SEALCO NO. 110800 SPRING BRAKE CONTROL VALVE	9	RESERVOIR - VOLUME TO BE AS PER FMVSS 121
3	SEALCO NO. 110588 CONTROL LINE BOOSTER VALVE	10	SPRING BRAKE & SERVICE BRAKE CHAMBER
4	SEALCO NO. 10200 1/2 CHECK VALVE	11	616 1/2" X 3/4" NIPPLE OR 6002 1/2" X 1/2" NIPPLE
5	SEALCO NO. 140270 PRESSURE PROTECTION VALVE	12	616 1/2" X 3/4" NIPPLE OR 6006 3/4" X 3/4" NIPPLE
6	ZF WABCO NO.432 500 005 0 CONTROL LINE FILTER		
7	SEALCO NO. 110338 DOLLY RELAY EMERGENCY VALVE		

ZF WABCO ABS KIT# I42122F  
 SEALCO VALVE KIT# V8.I01



VEHICLE COMPLIANCE & CERTIFICATION WITH ALL APPLICABLE FEDERAL, STATE & PROVINCIAL REGULATIONS INCLUDING FMVSS 121 & CMVSS 121 IS SOLELY THE RESPONSIBILITY OF THE VEHICLE MANUFACTURER

AIR SYSTEM REQUESTED BY:

<b>FIVE AXLE 4S2M TRAILER</b>			
DRAWN BY: <b>JD</b>	CHECKED: <b>ZY</b>	DATE: <b>10-13-2022</b>	DRAWING NO.: <b>P-8022</b>