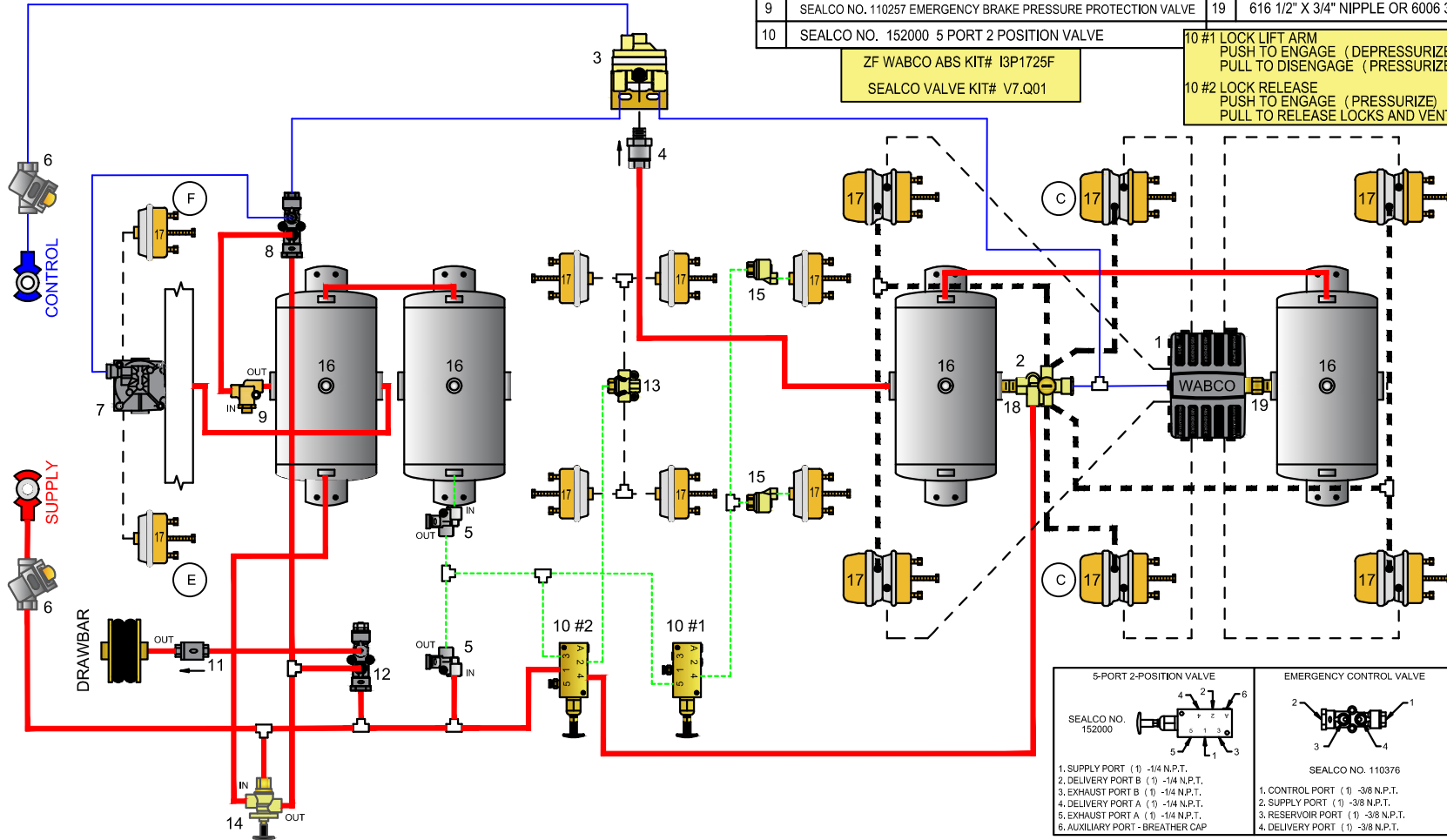


NO.	DESCRIPTION	NO.	DESCRIPTION
1	ZF WABCO NO.400 500 430 0 iABS	11	SEALCO NO. 110183 BYPASS CHECK VALVE
2	SEALCO NO. 110700 SPRING BRAKE CONTROL VALVE	12	SEALCO NO. 110591 LIFT AXLE CONTROL VALVE
3	SEALCO NO. 110588 CONTROL LINE BOOSTER VALVE	13	SEALCO NO. 780210 QUICK RELEASE AND HOLDING VALVE
4	SEALCO NO. 10200 1/2 CHECK VALVE	14	SEALCO NO. 17600B HAND CONTROL VALVE
5	SEALCO NO. 140270 PRESSURE PROTECTION VALVE	15	SEALCO NO. 3800 QUICK RELEASE AND HOLDING VALVE
6	ZF WABCO NO.432 500 005 0 CONTROL LINE FILTER	16	RESERVOIR - VOLUME TO BE AS PER FMVSS 121
7	ZF WABCO NO.472 195 033 0 ABS REMOTE VALVE	17	SPRING BRAKE & SERVICE BRAKE CHAMBER
8	SEALCO NO. 110376 EMERGENCY CONTROL VALVE	18	616 1/2" X 3/4" NIPPLE OR 6002 1/2" X 1/2" NIPPLE
9	SEALCO NO. 110257 EMERGENCY BRAKE PRESSURE PROTECTION VALVE	19	616 1/2" X 3/4" NIPPLE OR 6006 3/4" X 3/4" NIPPLE
10	SEALCO NO. 152000 5 PORT 2 POSITION VALVE		

ZF WABCO ABS KIT# 13P1725F
 SEALCO VALVE KIT# V7.Q01

10 #1 LOCK LIFT ARM
 PUSH TO ENGAGE (DEPRESSURIZE) LIFT CHAMBERS
 PULL TO DISENGAGE (PRESSURIZE) LIFT CHAMBERS

10 #2 LOCK RELEASE
 PUSH TO ENGAGE (PRESSURIZE) LOCK CHAMBERS
 PULL TO RELEASE LOCKS AND VENT SUPPLY LINE (PARK TRAILER)



 ZF WABCO NO. 400 500 430 0 1. SUPPLY RES PORT (2) -3/4 N.P.T. 2. DELIVERY PORT (6) -3/8 N.P.T. 4. CONTROL PORT (1) -3/8 N.P.T. ABS RELAY VALVE - 4 PORT ZF WABCO NO. 472 195 033 0 1. SUPPLY RES PORT (2) -3/4 N.P.T. 2. DELIVERY PORT (4) -3/8 N.P.T. 4. CONTROL PORT (1) -3/8 N.P.T. SPRING BRAKE CONTROL VALVE SEALCO NO. 110700 1. CONTROL PORT (1) -3/8 N.P.T. 2. SUPPLY PORT (1) -3/8 N.P.T. 3. RESERVOIR PORT (1) -1/2 N.P.T. 4. DELIVERY PORT (4) -3/8 N.P.T.
5-PORT 2-POSITION VALVE SEALCO NO. 152000 1. SUPPLY PORT (1) -1/4 N.P.T. 2. DELIVERY PORT B (1) -1/4 N.P.T. 3. EXHAUST PORT B (1) -1/4 N.P.T. 4. DELIVERY PORT A (1) -1/4 N.P.T. 5. EXHAUST PORT A (1) -1/4 N.P.T. 6. AUXILIARY PORT - BREATHER CAP
EMERGENCY CONTROL VALVE SEALCO NO. 110376 1. CONTROL PORT (1) -3/8 N.P.T. 2. SUPPLY PORT (1) -3/8 N.P.T. 3. RESERVOIR PORT (1) -3/8 N.P.T. 4. DELIVERY PORT (1) -3/8 N.P.T.
CONTROL LINE VALVE SEALCO NO. 110588 1. CONTROL PORT (1) -3/8 N.P.T. 2. RESERVOIR PORT (1) -1/2 N.P.T. 3. DELIVERY PORT (2) -3/8 N.P.T.

VEHICLE COMPLIANCE & CERTIFICATION WITH ALL APPLICABLE FEDERAL, STATE & PROVINCIAL REGULATIONS INCLUDING FMVSS 121 & CMVSS 121 IS SOLELY THE RESPONSIBILITY OF THE VEHICLE MANUFACTURER

AIR SYSTEM REQUESTED BY:

1 + 3 TRANSFER TRAILER			
DRAWN BY: JD	CHECKED: ZY	DATE: 10-13-2022	DRAWING NO.: P-8021