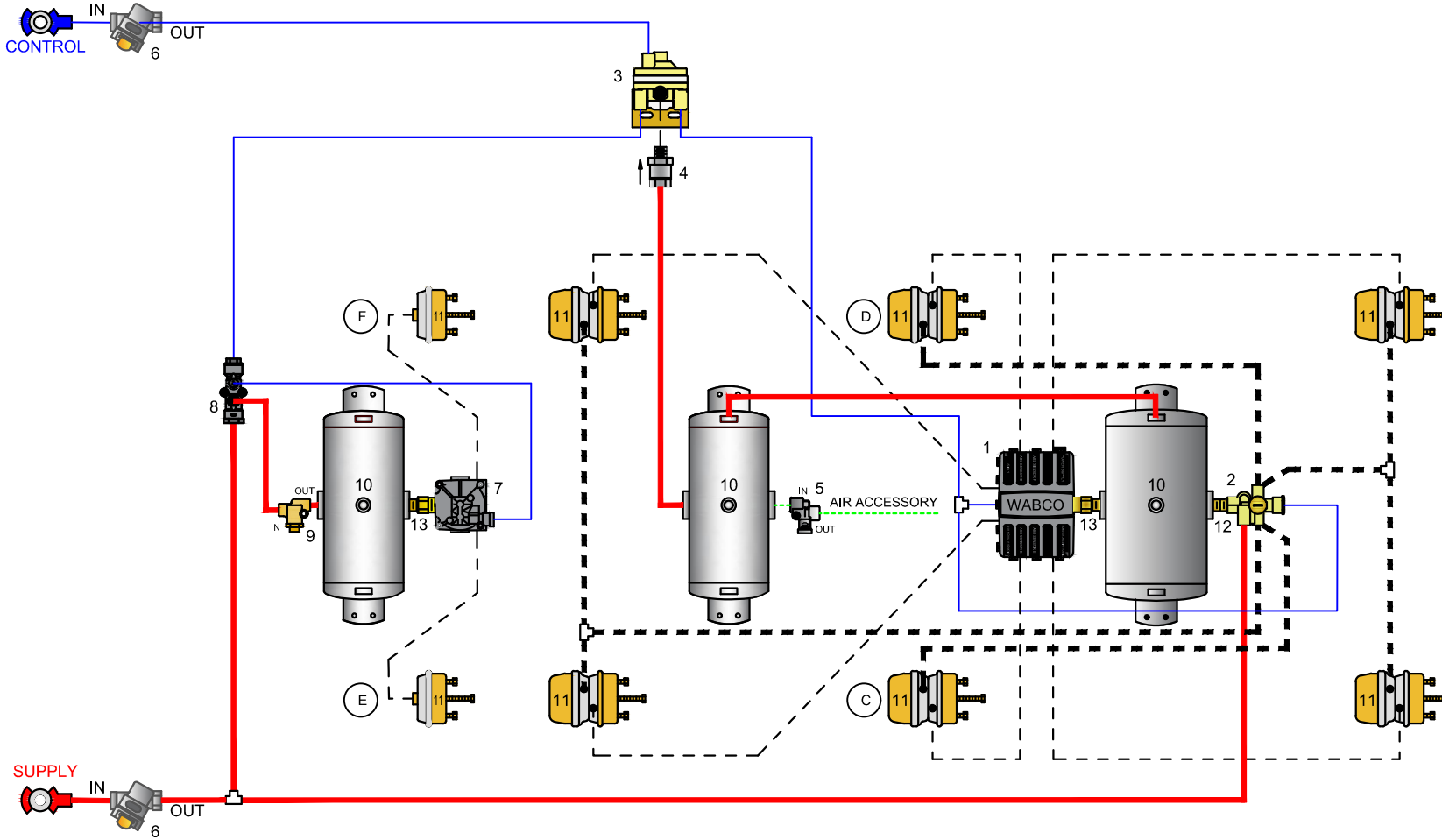


CONTROL LINE TUBE	SERVICE BRAKE HOSE	OTHER
SUPPLY LINE TUBE	SPRING BRAKE HOSE	OTHER
SUPPLY LINE TUBE 1/2" & CONTROL LINE TUBE IS 3/8" UNLESS OTHERWISE NOTED		

NO.	DESCRIPTION	NO.	DESCRIPTION
1	ZF WABCO NO.400 500 430 0 iABS	8	SEALCO NO. 110376 EMERGENCY CONTROL VALVE
2	SEALCO NO. 110800 SPRING BRAKE CONTROL VALVE	9	SEALCO NO. 110257 EMERGENCY BRAKE PRESSURE PROTECTION VALVE
3	SEALCO NO. 110588 CONTROL LINE BOOSTER VALVE	10	RESERVOIR - VOLUME TO BE AS PER FMVSS 121
4	SEALCO NO. 10200 1/2 CHECK VALVE	11	SPRING BRAKE & SERVICE BRAKE CHAMBER
5	SEALCO NO. 140270 PRESSURE PROTECTION VALVE	12	616 1/2" X 3/4" NIPPLE OR 6002 1/2" X 1/2" NIPPLE
6	ZF WABCO NO.432 500 005 0 CONTROL LINE FILTER	13	616 1/2" X 3/4" NIPPLE OR 6006 3/4" X 3/4" NIPPLE
7	ZF WABCO NO.472 195 033 0 ABS REMOTE VALVE	WABCO ABS KIT# I3P1724F SEALCO VALVE KIT# V8.H01	



iABS

ZF WABCO NO. 400 500 430 0
 1. SUPPLY/RES PORT (2) -3/4 N.P.T.
 2. DELIVERY PORT (6) -3/8 N.P.T.
 4. CONTROL PORT (1) -3/8 N.P.T.

ABS RELAY VALVE - 4 PORT

ZF WABCO NO. 472 195 033 0
 1. SUPPLY/RES PORT (2) -3/4 N.P.T.
 2. DELIVERY PORT (4) -3/8 N.P.T.
 4. CONTROL PORT (1) -3/8 N.P.T.

SPRING BRAKE CONTROL VALVE

SEALCO NO. 110800
 1. CONTROL PORT (1) -3/8 N.P.T.
 2. SUPPLY PORT (1) -3/8 N.P.T.
 3. RESERVOIR PORT (1) -1/2 N.P.T.
 4. DELIVERY PORT (2) -3/8 N.P.T.

CONTROL LINE VALVE

SEALCO NO. 110588
 1. CONTROL PORT (1) -3/8 N.P.T.
 2. RESERVOIR PORT (1) -1/2 N.P.T.
 3. DELIVERY PORT (2) -3/8 N.P.T.

EMERGENCY CONTROL VALVE

SEALCO NO. 110376
 1. CONTROL PORT (1) -3/8 N.P.T.
 2. SUPPLY PORT (1) -3/8 N.P.T.
 3. RESERVOIR PORT (1) -3/8 N.P.T.
 4. DELIVERY PORT (1) -3/8 N.P.T.

VEHICLE COMPLIANCE & CERTIFICATION WITH ALL APPLICABLE FEDERAL, STATE & PROVINCIAL REGULATIONS INCLUDING FMVSS 121 & CMVSS 121 IS SOLELY THE RESPONSIBILITY OF THE VEHICLE MANUFACTURER

AIR SYSTEM REQUESTED BY:

FOUR AXLE 4S3M TRAILER

DRAWN BY: JD	CHECKED: ZY	DATE: 10-13-2022	DRAWING NO.: P-8018
------------------------	-----------------------	----------------------------	-------------------------------