

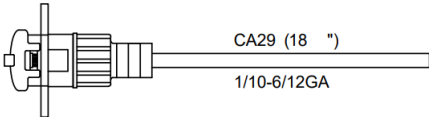


SEALCO'S NEW J560 Plug/Socket Assembly

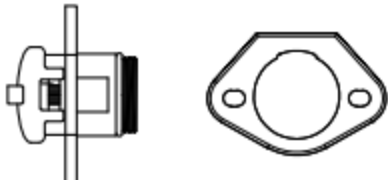
Sealco has a new modular J560 plug (MD55) that can be molded onto your custom harnesses!



Service Kit:



HK5717 includes J560 plug/socket/tightening ring/gasket assembly with 18" main cable.



HK5717-1 includes J560 socket with gasket.

SEALCO's J560 plastic socket assembly makes no compromises in quality, durability, and reliability. New modular design makes installation easy as well as any repairs in the future. Design is made to keep out contamination and prevent corrosion. Rubberized gasket helps with over the road vibration as well as a strong mounting connection. The J560 assembly socket comprises of 3 main components: plug, socket (over molded by Sealco), tightening ring, and gasket.