



Service Brake Valves Quick Reference



View the full Sealco product line on the web at www.sealcovp.com

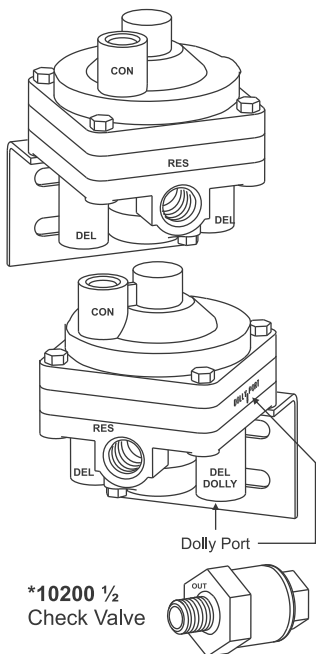
Two & Four Delivery Port Piston Style Valves

Piston style service relay valves with 3/8" delivery and control ports. Suitable for reservoir or frame mounting. No service parts are available.

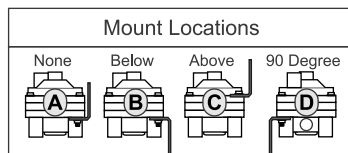
4 Delivery Port Valves			2 Delivery Port Valves		
3/4" Reservoir Port			1/2" Reservoir Port		
Part Number	Crack Pressure	Mounting	Part Number	Crack Pressure	Mounting
110380	1.5 psi	Nipple	110360	1.5 psi	Nipple
110385	1.5 psi	Frame	110365	1.5 psi	Frame
110415	4.0 psi	Nipple	110410	4.0 psi	Nipple
110416	4.0 psi	Frame	110412	4.0 psi	Frame
110488	5.5 psi	Nipple	110487	5.5 psi	Nipple
110615	4.0 psi	*2030	*Use four #2030 screws for mounting		

Control Line Booster Valves

These "speed up" valves are primarily used on dollies, lead semi, and long trailers to accelerate the apply and release of the control line signal. They have two 3/8" delivery ports, one 1/2" reservoir port, a 3/8" control port and feature a zero pound crack pressure. Some are equipped with a reduced flow delivery port marked "Dolly" which improves brake balance on trailer trains.



Part Number	Dolly Port	Mount	Check Valve
110570	Yes	(B)	None
110571	Yes	(A)	None
110580	No	(B)	None
110582	No	(C)	None
110588	No	(D)	None
110605	No	(B)	10200 1/2"
110606	Yes	None	10200 1/2"
110690	Yes	None	None
110790	No	None	None

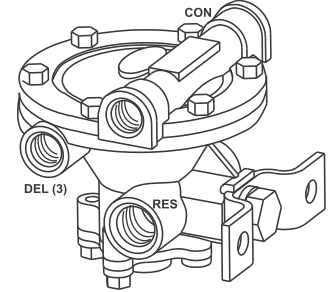


*Most applications require the 10200 1/2" to be installed in the reservoir port.

Three Delivery Port Diaphragm Style Valves

These frame mounted valves are commonly used on tractor, trucks, or lift axles. They feature a 5.5 psi crack pressure, two 3/8" delivery ports, one 1/2" delivery ports, two 1/2" reservoir ports, two control ports and a mounting kit.

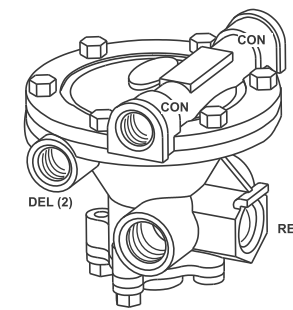
Part Number	Control Port	Mounting Kit
9125	1/4"	110237
110207	3/8"	110237
110228	3/8"	110156



9125-5 Plug Unit Assembly
912-5 Repair Kit

Two Delivery Port Diaphragm Style Valves

These rugged diaphragm valves are primarily used for single axle vehicle or lift axle applications. They are configured with a 1/2" reservoir port, two 3/8" control and two 3/8" delivery ports.



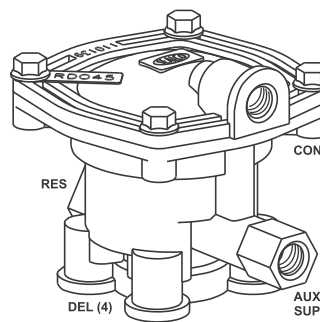
Part Number	Crack Pressure	Mounting
110197	4.0 psi	Nipple
110198	4.0 psi	Nipple (1)
110199	4.0 psi	Nipple (2)
110275	4.0 psi	Frame (3)
110507	6.0 psi	Tank

(1) 6002 (1/2") nipple included
(2) 6003 (3/4") nipple included
(3) 110237 frame kit included

110227 Plug Unit Assembly For All But The 110507
912-5 Repair Kit

Four Port Service Relay

Service relay valves with four 3/8" delivery ports, a 3/4" reservoir port and 3/8" auxiliary supply port (unless otherwise noted). Ratio valves produce a momentary pressure surge during harder than normal braking.



*Ratio Valves		
Part Number	Aux. Supply	Plug Unit (Crack Pressure)
110139	Yes	110143 (4.5)
110584	Yes	110583 (5.5)
110600	No	110143 (4.5)
Non-Ratio Valve		
Part Number	Aux. Supply	Plug Unit (Crack Pressure)
110450	Yes	110143 (4.5)

110673 Auxiliary Supply Port Repair Kit

*Ratio valves should not be used on dollies, steerable axles, & lift axles.