



# Spring Brake & Emergency Valves Quick Reference



View the full Sealco product line on the web at [www.sealcocvp.com](http://www.sealcocvp.com)

## Spring Brake Valves

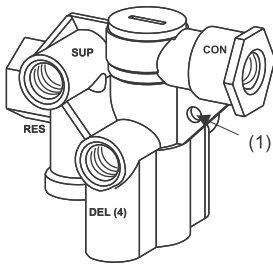
Spring brake valves are primarily designed to release the springs on dual air chamber brakes and fill the reservoir. All include supply line protection, anti-compounding support, and a delivery pressure holding feature. Each have four 3/8" delivery ports, a 3/8" supply port, a 3/8" control port and at least one 1/2" reservoir port.

**Fill Priority** indicates how the valve directs flow when the reservoir is empty. 'Spring' means the spring chambers get 100% of the flow up to about 80 psi. 'Service' means the reservoir shares the flow with the spring chambers.

**Relay Fill** feature uses reservoir pressure to dramatically reduce the brake's release time.

### Premium Four Port Spring Brake Valves

These small body premium valves include the Relay Fill feature.



Part Number	Fill Priority
110800	Spring
110700	Service

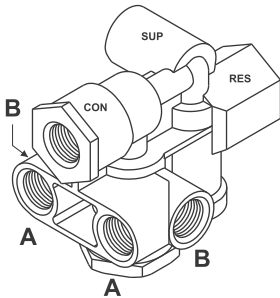
#### Service Assemblies

110515 Pressure Protection  
110705 Movable Seat.

(1) Hole indicates the valve is a 110800

### Value Priced Four Port Spring Brake Valves

These are small body spring brake priority valves.



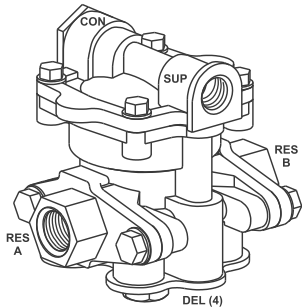
Part Number	Plugged Ports
110500	None
110505	Delivery Ports B
110510	Delivery Ports A

#### Service Assemblies

110515 Pressure Protection  
110520 Movable Seat.

### Protected Reservoir Four Port Spring Brake Valves

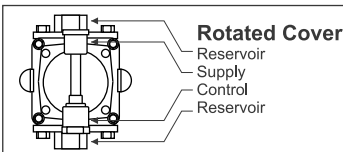
These large body valves have two reservoir ports and include the Relay Fill feature.



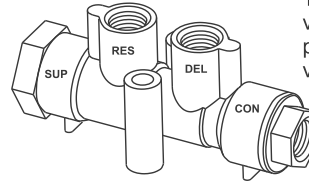
Part Number	Reservoir		Rotated Cover
	A	B	
110170	1/2"	1/2"	No
110171	1/2"	3/8"	Yes
110191	3/8"	1/2"	Yes
110310	3/8"	1/2"	No
110315	1/2"	3/8"	No

#### Service Assemblies

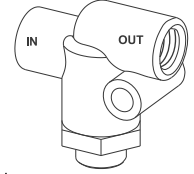
110175 Plug Unit (PRE 10/92)  
110609 Plug Unit (Post 9/92)  
110185 Major Repair Kit  
110195 Minor Repair Kit



## Emergency Control Valves



110376 is a 3/8" ported emergency control valve. It is often used to add emergency & park brake features to relay valves on vehicles that do not use spring brakes.

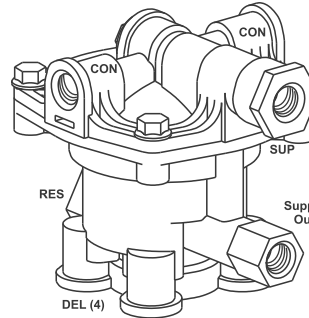


Always aim vent downward

110257 is a specialized 3/8" ported, emergency pressure protection valve. It provides supply line protection when coupled with the 110376 or the 110338 valve. It should not replace or be replaced with conventional pressure protection valves.

## Relay Emergency Valves

Relay emergency valves are used in brake systems with single chamber brake actuators. Each valve features a 3/4" reservoir port, four 3/8" delivery ports, two control and one supply port. Ratio valves produce a momentary pressure surge during harder than normal braking.



#### Non-Charging Style

Part Number	Con/Sup Ports	Ratio Valve	Supply Out
110338	3/8"	No	Yes

110359 Non-Charging Valve Repair Kit

#### Charging Style

Part Number	Con/Sup Ports	Ratio Valve	Supply Out
110200	1/4"	*Yes	No
110205	3/8"	*Yes	No
110460	1/4"	No	No
110470	3/8"	No	No
110475	3/8"	No	Yes

110201 Charging Valve Repair Kit

#### Service Assemblies/Kits

110143 Plug Unit Assembly  
110162 Spool Assembly  
110166 Minor Spool Kit

\*Ratio valves should not be used on dollies, steerable axles, & lift axles.

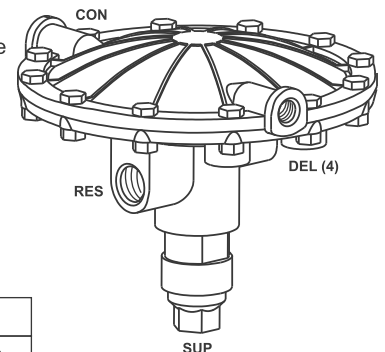
## Relay Emergency Valves (Pre FMVSS 121 Regulations)

A charging style relay emergency valve used for single chamber brake actuators on US air brake systems prior to implementation of FMVSS 121. It features a 1.5 psi crack pressure, 1/2" reservoir port and 1/4" delivery, control, and supply ports.

A1000S Relay Emergency Valve



1000-5A



#### Service Assemblies

1000-5A Replacement Cartridge  
10-5 Repair Kit.