



Technical Data

17620 Hand Control Valve

Operating Environment

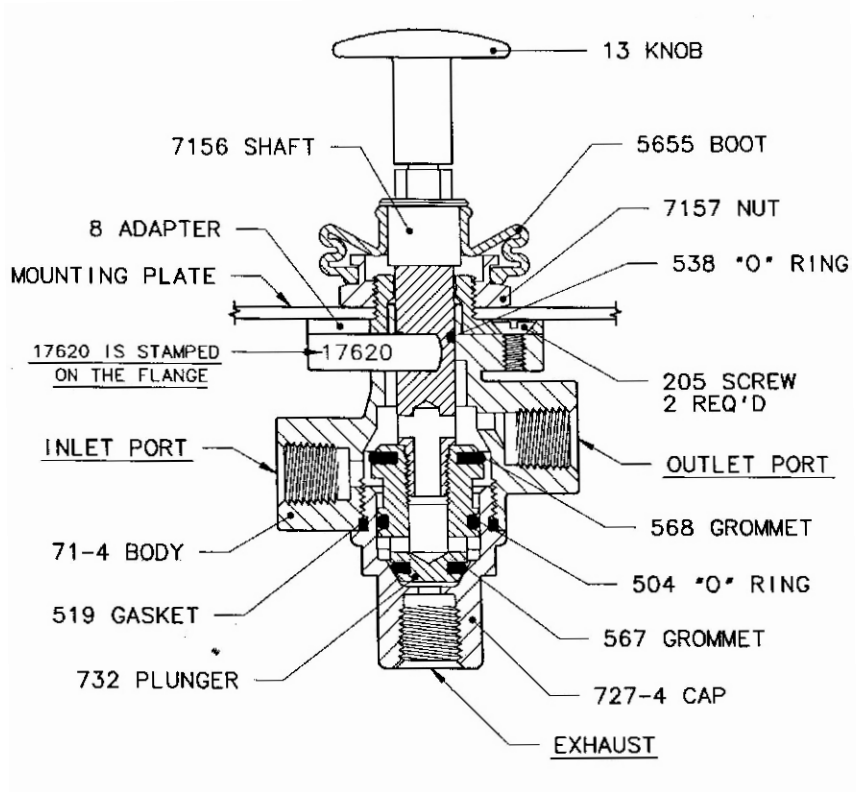
- Maximum Operating Pressure: 150 psi
- Maximum Operating Temperature: 200F/93C Degrees
- Minimum Operating Temperature: -40F/C Degrees

Performance

Flow Rating @ 100 psig: 31 CFM (Actual flow as measured at Phoenix, Arizona facility)

Notes

Designed for use in pneumatic systems.
 Mounting Thread 7/8" – Mounting Hole Should Be Slightly Larger
 All Ports Are 1/4" NPT



Not To Scale