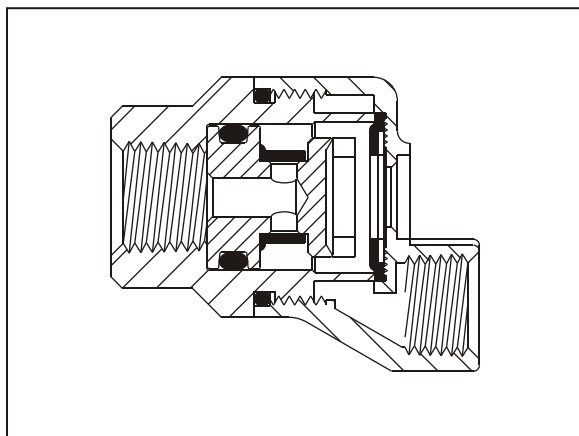
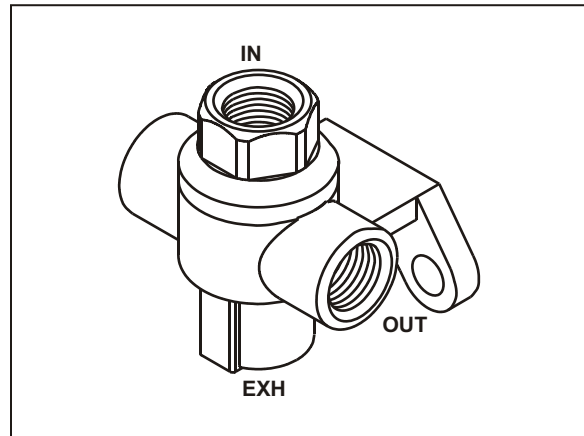
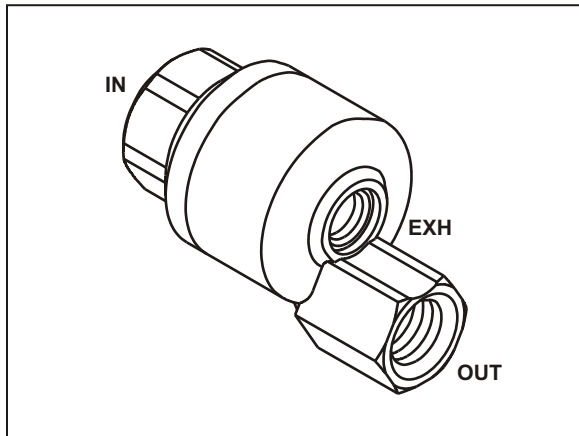
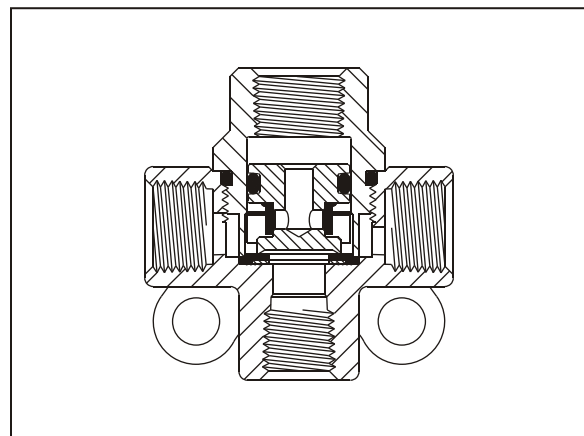


# MISCELLANEOUS VALVES

## Spring Brake Exhaust Valves



**3800**



**7800**

### INFORMATION:

- Pressure holding & quick release valve
- Operates as positive quick release valve on lift axle & spring brake applications
- Operates as a pressure holding valve to engage transfer trailer locks
- Prevents unwanted application of spring brakes due to drop in supply pressure
- In line mounting for the 3800 while the 7800 & 780210 act as a Tee & are frame mounted
- **REPAIR KIT 78-5**

PART NUMBER	PORT SIZES (NPT)		DIMENSIONS		COMMENTS
	Inlet	Outlet	Height	Width	
3800	1/4"	1/4"	1 15/16"	1 9/16"	In line mounting
7800	1/4"	1/4"	2 1/4"	2 1/4"	
780210	3/8"	3/8"	2 1/4"	2 1/4"	
780219	3/8"	3/8"	2 1/4"	2 1/4"	Includes exhaust seal