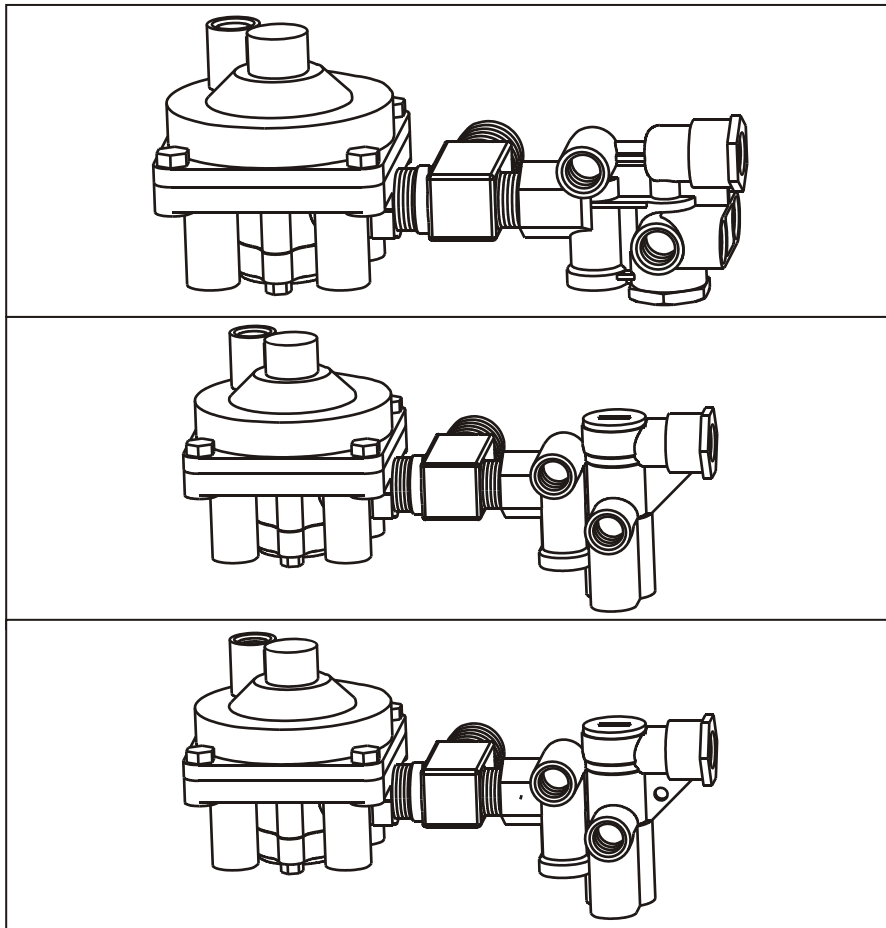


# RELAY & SPRING BRAKE VALVES

## RSA Valves (Relay & Spring Brake Valve Assembly)



### INFORMATION:

- Replaces Haldex / Midland Full Function Valves FFV & FF2
- Uses 110415 4-port Service Relay Valve & allows for choice of Service Reservoir Priority with 110700 SBCV or Spring Brake Priority with either 110500 or 110800 SBCV
- Allows for future repair or replacement of individual Relay Valve or Spring Brake Control Valve instead of having to replace the entire Full Function Valve
- Relay Valve & Spring Brake Control Valve come assembled on heavy duty brass tee with vibraseal

PART NUMBER	SYSTEM PRIORITY	VALVES MOUNTED ON BRACKET		NOMINAL CRACK PRESSURE	TANK PORT MOUNTING SIZE
		Relay Valve	Spring Brake Cont.		
110542	Spring Brake	110415	110500	4.0 psi	1/2" NPT
110544	Spring Brake	110415	110500	4.0 psi	3/4" NPT
110742	Service Reservoir	110415	110700	4.0 psi	1/2" NPT
110744	Service Reservoir	110415	110700	4.0 psi	3/4" NPT
110842	Spring Brake	110415	110800	4.0 psi	1/2" NPT
110844	Spring Brake	110415	110800	4.0 psi	3/4" NPT