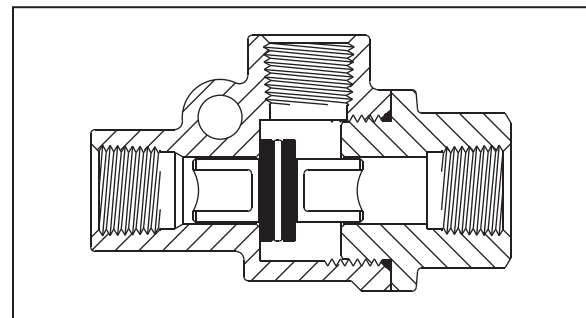
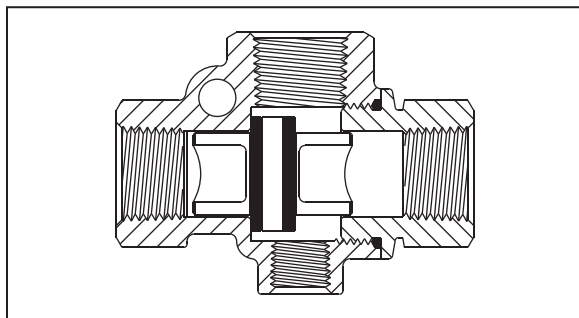
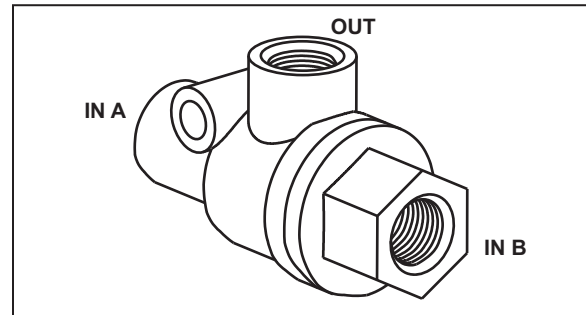
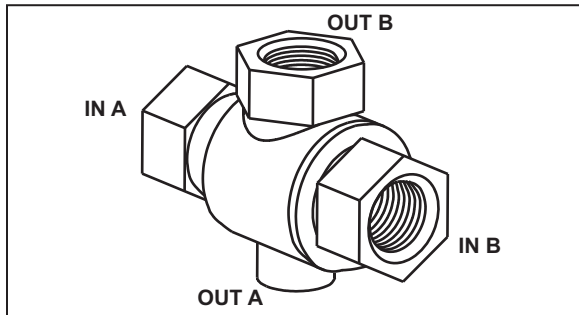


CHECK VALVES

Two - Way Check Valves



7200

320100

INFORMATION:

- Commonly used between supply air reservoirs that are merged together or between Foot Valves Delivery 1 and Delivery 2 lines to the trailer
- Allows air to flow through to outlet port
- **REPAIR KIT 72-5** for 7200
- **REPAIR KIT 320105** for 320100

PART NUMBER	PORT SIZES (NPT)			
	Inlet A	Inlet B	Outlet A	Outlet B
7200	1/2"	1/2"	1/4"	1/2"
320100	3/8"	3/8"	3/8"	-