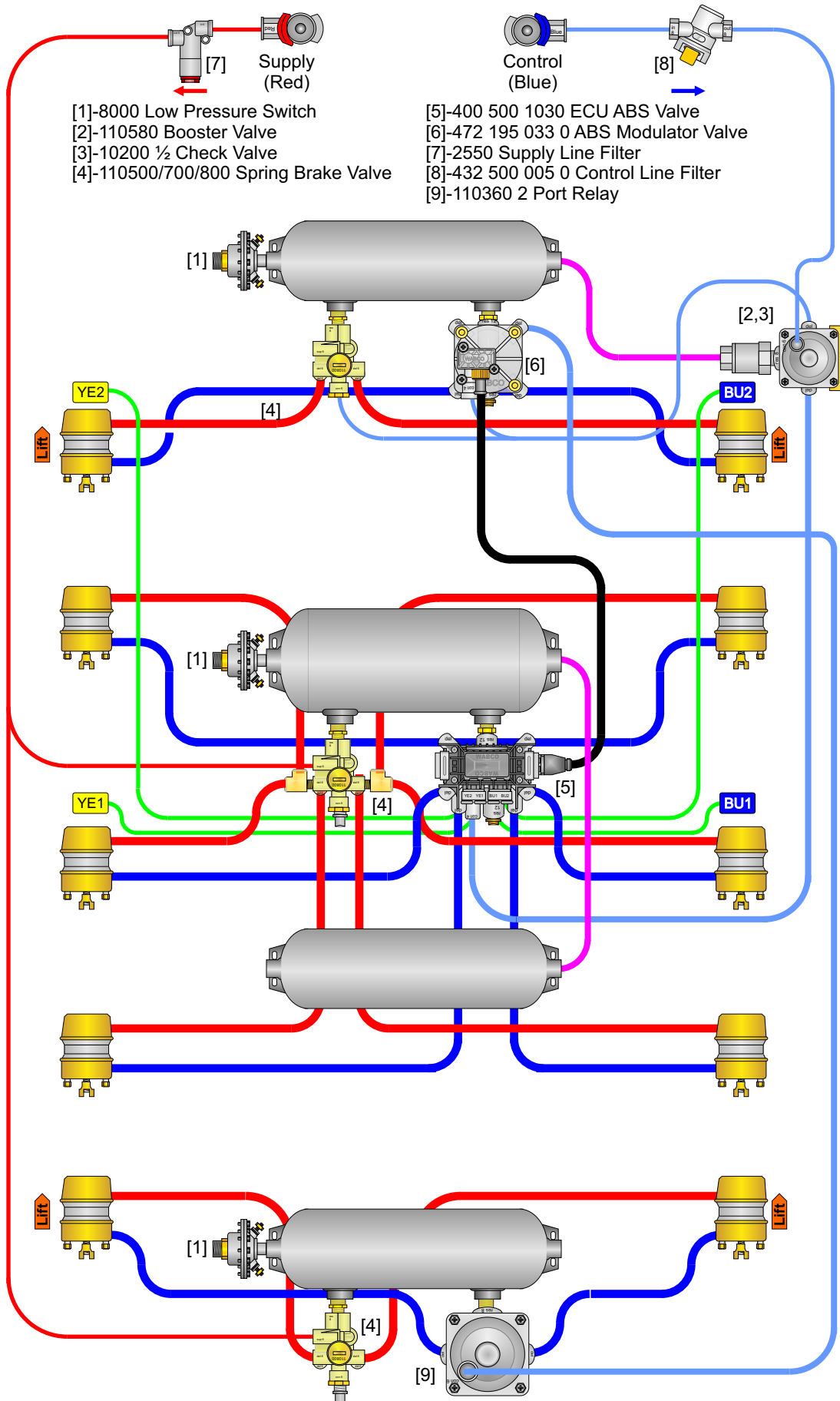


Description	Drawing Number
5 Axle (131) SPIF with 4s3m ABS	P-6552



For reference only. It is the manufacturers responsibility to comply with all applicable regulations.