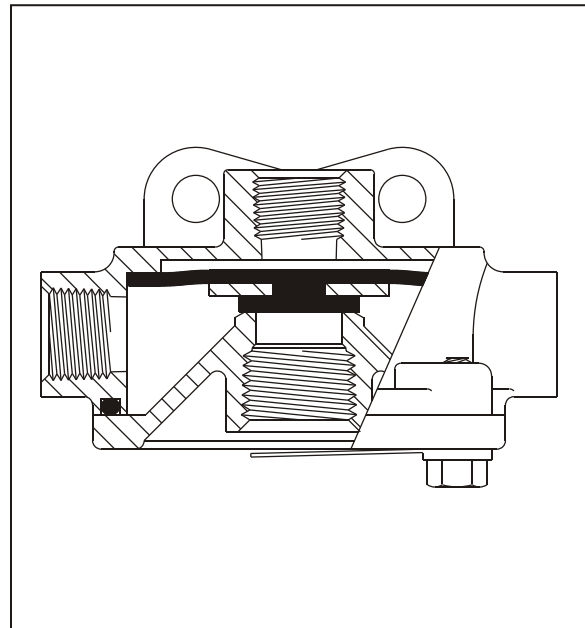
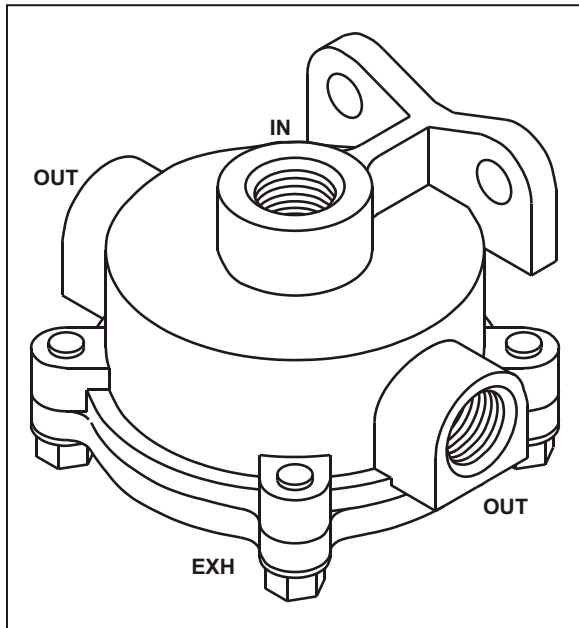


MISCELLANEOUS VALVES

Quick Release Valves



INFORMATION:

- Commonly used to apply & release spring brakes & service brakes
- Commonly used in control line of towing trailers to exhaust air suspension bags
- Heavy-duty metal construction

PART NUMBER	PORT SIZES (NPT)				NOMINAL CRACK PRESSURE	USE REPAIR KIT NUMBER
	Inlet	Outlet A	Outlet B	Exhaust		
2000B 3/8	3/8"	1/4"	1/4"	-	4-5 psi	20-5
2000B 1/2	1/2"	3/8"	3/8"	-	4-5 psi	20-5
2000C 3/8	3/8"	1/4"	1/4"	-	8-10 psi	20-5
2000C 1/2	1/2"	3/8"	3/8"	-	8-10 psi	20-5
2000D 3/8	3/8"	1/4"	1/4"	-	0-1 psi	20D-5
2000D 1/2	1/2"	3/8"	3/8"	-	0-1 psi	20D-5
200000	1/4"	1/4"	1/4"	-	0-1 psi	20D-5
200001	3/8"	3/8"	3/8"	1/2"	0-1 psi	20D-5
200002	1/2"	3/8"	3/8"	1/2"	0-1 psi	20D-5
200003	3/8"	1/4"	1/4"	1/2"	0-1 psi	20D-5
200004	3/8"	3/8"	3/8"	1/2"	0-1 psi	200135
200006	1/4"	1/4"	1/4"	1/2"	0-1 psi	20D-5