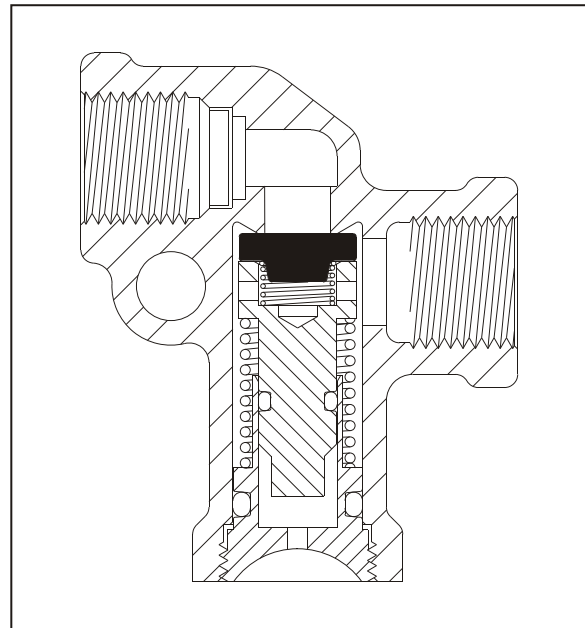
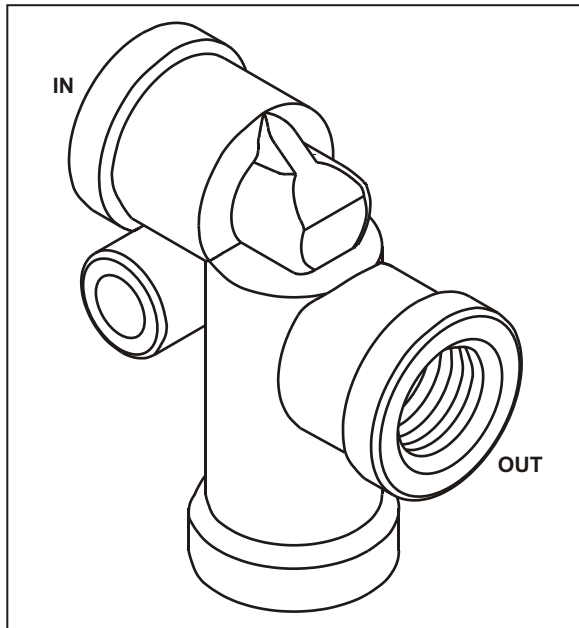


PRESSURE PROTECTION VALVES

Pressure Protection Valves



INFORMATION:

- Commonly used to protect air brake reservoirs from being depleted by the failure of other air accessory items
- Valves close at the nominal psi indicated below
- Valves include an internal filter & positive one-way check valve
- Piping examples on pages 71, 74, 75 & 76
- **REPAIR KITS** see below

PART NUMBER	PORT SIZES (NPT)		NOMINAL CLOSING PRESSURE	REPAIR KIT
	Inlet	Outlet		
140200	3/8"	3/8"	50 psi	140201
140270	3/8"	3/8"	60 psi	140271
140280	3/8"	3/8"	70 psi	140281
140290	3/8"	3/8"	80 psi	140291
140300	1/4"	1/4"	50 psi	140201
140370	1/4"	1/4"	60 psi	140271
140380	1/4"	1/4"	70 psi	140281
140390	1/4"	1/4"	80 psi	140291