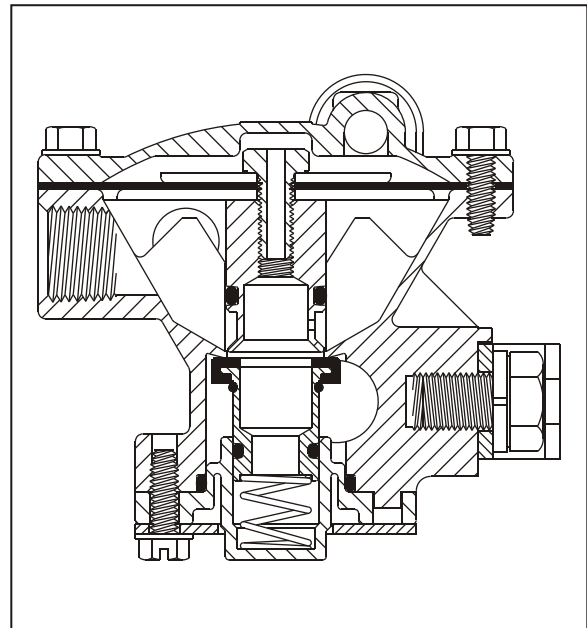
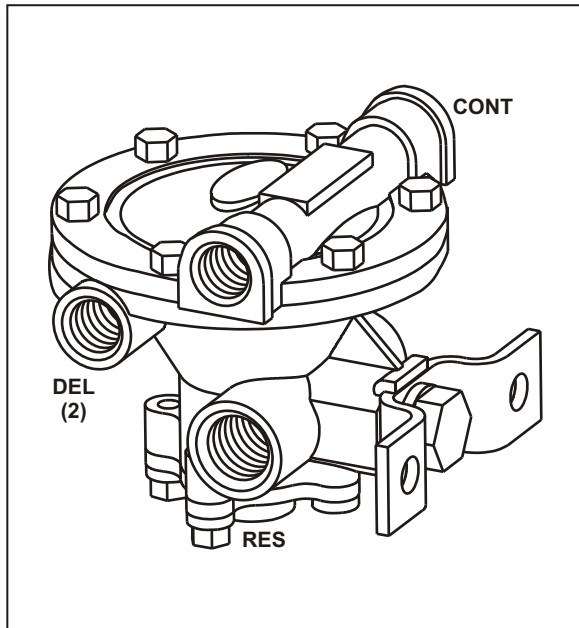


SUSPENSION CONTROL VALVES

Fast Fill Air Suspension Valves



Frame mounted 110595 pictured above – also available as tank/nipple mounted 110597

INFORMATION:

- Commonly used to speed the inflation of air suspension bags
- Uses air from reservoir in addition to height control system
- Exhausts air in normal manner
- Totally automatic operation
- Available both as frame mount (110595) or tank/nipple mount (110597)
- Piping examples on page 76

PART NUMBER	PORT SIZES (NPT)			
	Control (2)	Reservoir	Delivery (2)	Delivery
110595	3/8"	1/2" (2)	3/8"	1/2"
110597	3/8"	1/2" (1)	3/8"	N/A