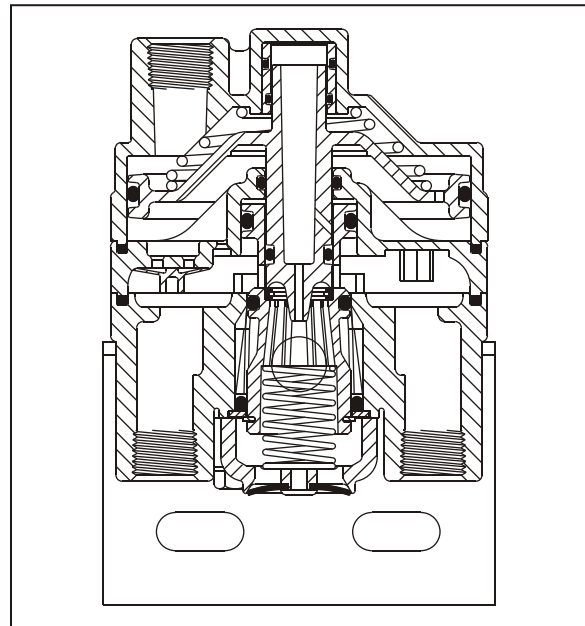
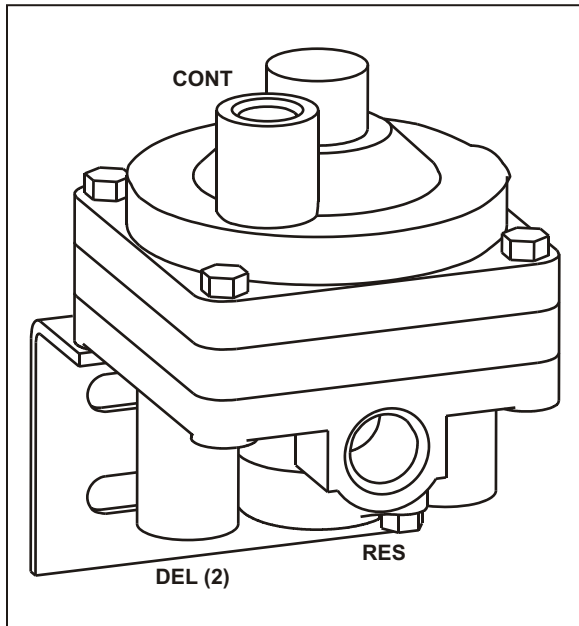


# CONTROL LINE VALVES

## Control Line Valves – Trailers



### INFORMATION:

- Complies with all changes to FMVSS 121, Docket 85-07, Notice 7
- Primarily used on trailers designed to tow another trailer, long wheel base sliding tandems & specialty trailers with multiple axles
- Provides a balanced control line signal for uniform braking of multi-axle combination vehicles
- Improves application timing of service brakes in rearmost axles of long wheel base tractor/trailer combinations
- Improves the release of service brakes in the tractor/trailer combination eliminating trailer brake drag complaints.
- Mounting Hardware on pages 61 & 62
- Piping examples on page 72

PART NUMBER	PORT SIZES (NPT)			NOMINAL CRACK PRESSURE	COMMENTS
	Control	Reservoir	Delivery (2)		
110580	3/8"	1/2"	3/8"	0.0 psi	Includes Bracket as shown
110582	3/8"	1/2"	3/8"	0.0 psi	110580 with Bracket on top
110588	3/8"	1/2"	3/8"	0.0 psi	110580 with Bracket at 90° down
110605	3/8"	1/2"	3/8"	0.0 psi	110580 with 10200 1/2 Check Valve
110790	3/8"	1/2"	3/8"	0.0 psi	110580 without Bracket