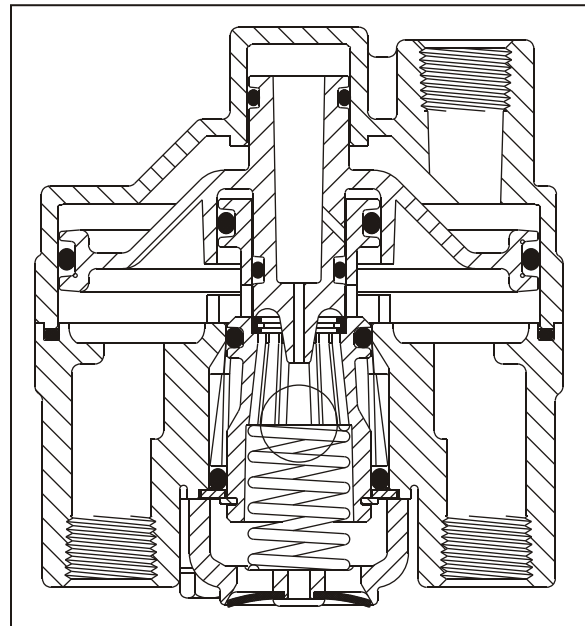
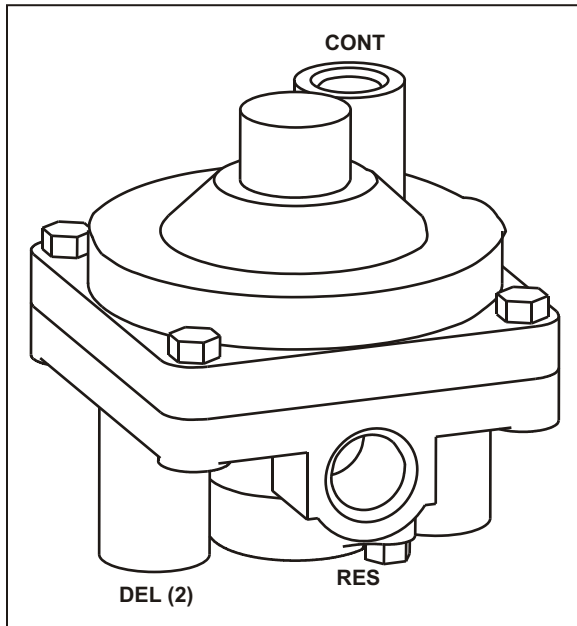


SERVICE RELAY VALVES

Service Relay Valves (2 Delivery Ports)



INFORMATION:

- Nipple mounted 110360 & 110410 are used primarily for single axle trailer service brakes or tandem axle by axle trailer brake designs
- 110365 may be used as a frame mounted version of 110360 or as a Control Line Valve to replace 110463 or 110464
- 110412 & 110487 may be used as a tractor, straight truck or trailer Service Relay Valve
- Mounting Hardware on pages 61 & 62
- Piping examples on page 74
- No Plug Units or Repair Kits available

| PART NUMBER | PORT SIZES (NPT) | | | NOMINAL CRACK PRESSURE | MOUNTING INFORMATION |
|-------------|------------------|-----------|----------|------------------------|-----------------------------------|
| | Control | Reservoir | Delivery | | |
| 110360 | 3/8" | 1/2" | 3/8" | 1.5 psi | Use 6002 or 6003 nipple |
| 110365 | 3/8" | 1/2" | 3/8" | 1.5 psi | Frame Bracket Kit 110485 included |
| 110410 | 3/8" | 1/2" | 3/8" | 4.0 psi | Use 6002 or 6003 nipple |
| 110412 | 3/8" | 1/2" | 3/8" | 4.0 psi | Frame Bracket Kit 110485 included |
| 110487 | 3/8" | 1/2" | 3/8" | 5.5 psi | Use 6002 or 6003 nipple |