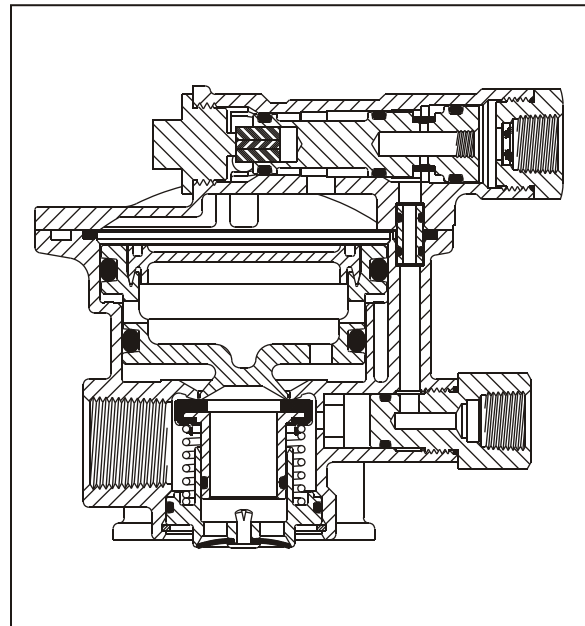
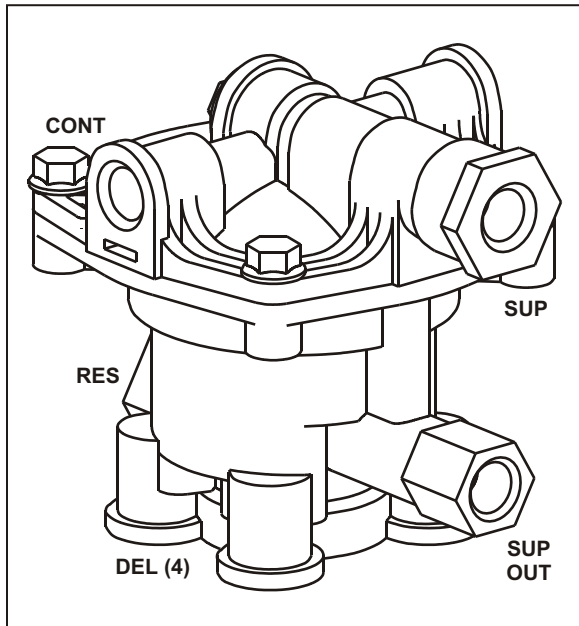


# RELAY EMERGENCY VALVES



## Relay Emergency Valve – Non-Charging (4 Delivery Ports)



### INFORMATION:

- Complies with all changes to FMVSS 121, Docket 90-3 effective 10-8-92
- Commonly used on converter dollies, turnable axles, heavy haulers, ag trailers and air lift axles with service brake chambers
- Commonly used in conjunction with 110257 Emergency Brake Pressure Protection Valve
- No ratio feature included
- Mounting Hardware on pages 61 & 62
- Piping examples on page 73
- **PLUG UNIT ASSEMBLY 110143**
- **MAJOR REPAIR KIT 110359**
- **SPOOL ASSEMBLY 110162**
- **MINOR SPOOL KIT 110166**

PART NUMBER	PORT SIZES (NPT)					NOMINAL CRACK PRESSURE
	Supply	Control	Reservoir	Delivery	Sup. Out	
110338	3/8"	3/8"	3/4"	3/8"	3/8"	4.5 psi