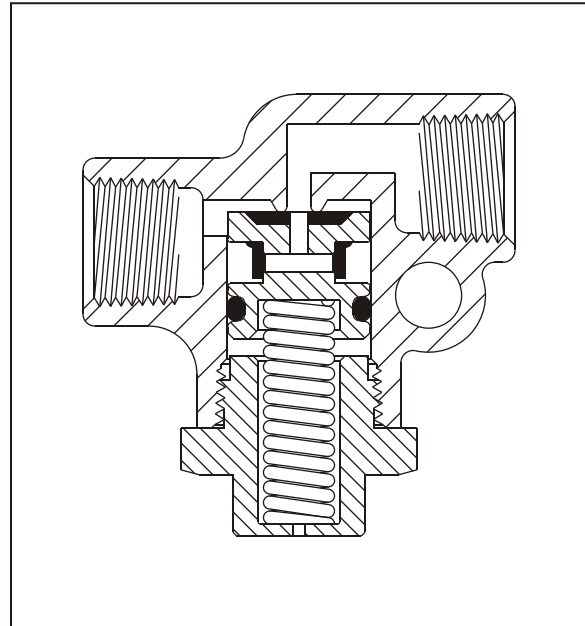
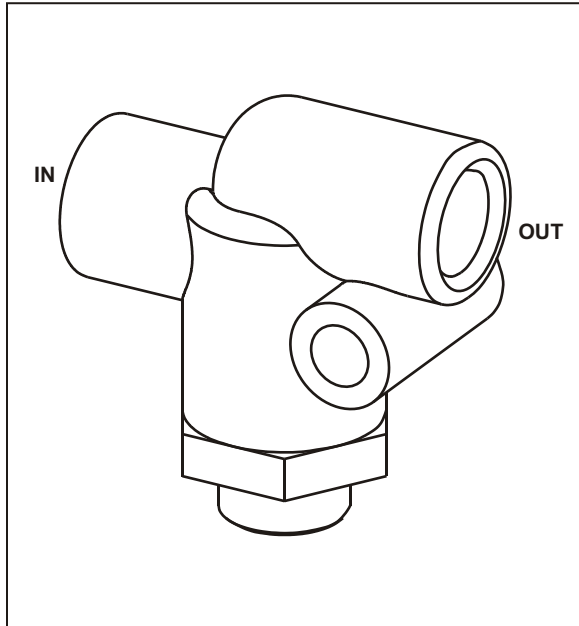


PRESSURE PROTECTION VALVES

Emergency Brake Valve Pressure Protection Valve



INFORMATION:

- Commonly used on converter dollies, turnable axles and air lift axles with service brake chambers
- Used in conjunction with 110338 Relay Emergency Valve and 110376 Emergency Control Valve
- Contains internal Check Valve which allows full reservoir pressure to be applied to Relay Valve
- Complies with all changes to FMVSS 121, Docket 90-3 effective 10-8-92
- Piping examples on page 73

PART NUMBER	PORT SIZES (NPT)		NOMINAL CLOSING PRESSURE
	Inlet	Outlet	
110257	3/8"	3/8"	70 psi