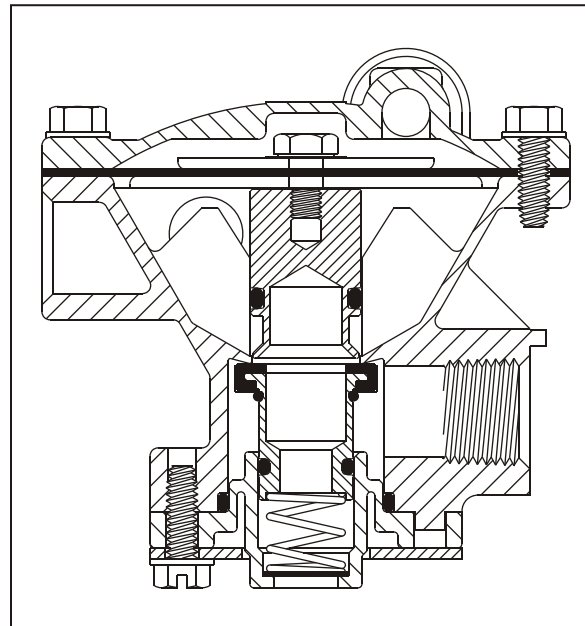
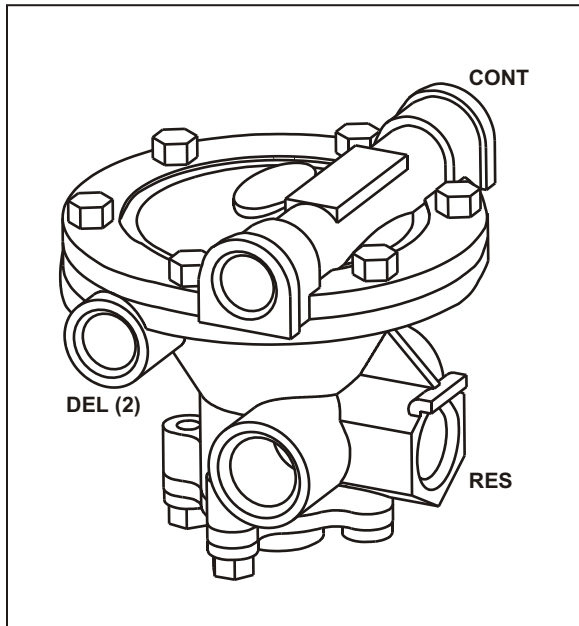


SERVICE RELAY VALVES

Service Relay Valves (2 Delivery Ports)



INFORMATION:

- Used primarily for single axle trailer service brakes or tandem axle by axle trailer brake designs
- Mounting Hardware on pages 61 & 62
- Piping examples on page 72
- **PLUG UNIT ASSEMBLY 110227 (No plug unit available for 110507)**
- **REPAIR KIT 912-5**

PART NUMBER	PORT SIZES (NPT)			NOMINAL CRACK PRESSURE	MOUNTING INFORMATION
	Control (2)	Reservoir	Delivery		
110197	3/8"	1/2"	3/8"	4.0 psi	Use 6002 or 6003 nipple
110198	3/8"	1/2"	3/8"	4.0 psi	6002 nipple included
110199	3/8"	1/2"	3/8"	4.0 psi	6003 nipple included
110275	3/8"	1/2"	3/8"	4.0 psi	Frame Bracket Kit 110237 included
110507	3/8"	1/2"	3/8"	6.0 psi	Use 6002 or 6003 nipple