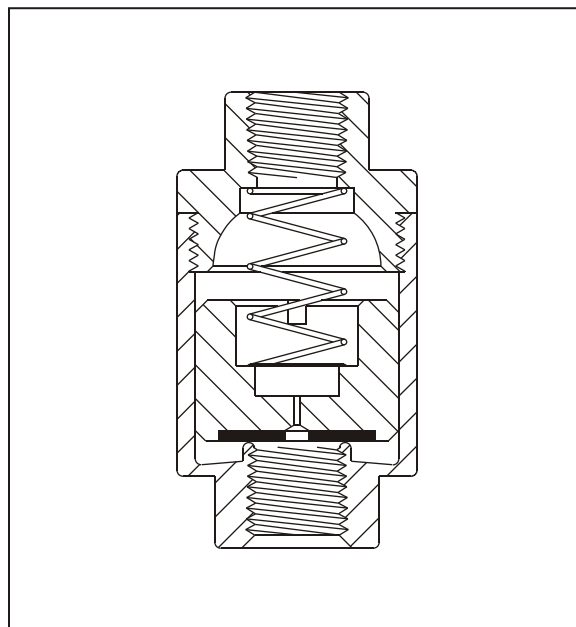
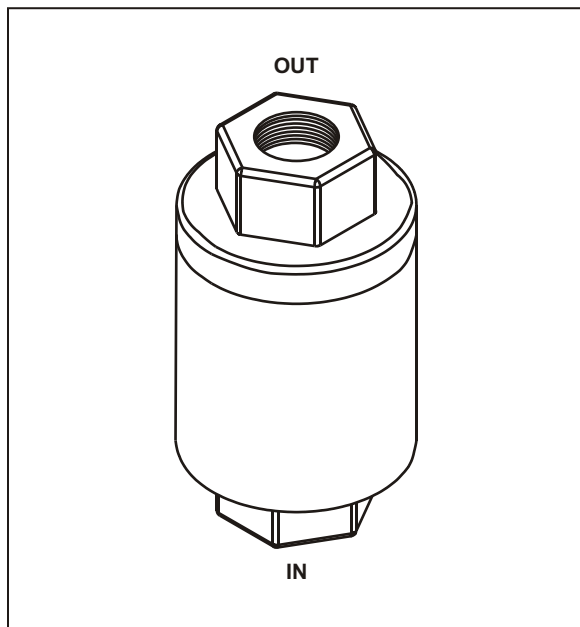


MISCELLANEOUS VALVES

Bypass Check Valves



INFORMATION:

- Part number 110183 is commonly used to control the lowering of the drawbar in transfer trailer applications
- Bypass check valves will not replace standard check valves

PART NUMBER	PORT SIZE (NPT)	LENGTH	DIAMETER	ORIFICE SIZE
110183	1/4"	2 3/8"	1 1/4"	.028
220000	3/4"	3 3/8"	1 1/2"	.030
220100	1/4"	2 3/8"	1 1/4"	.062