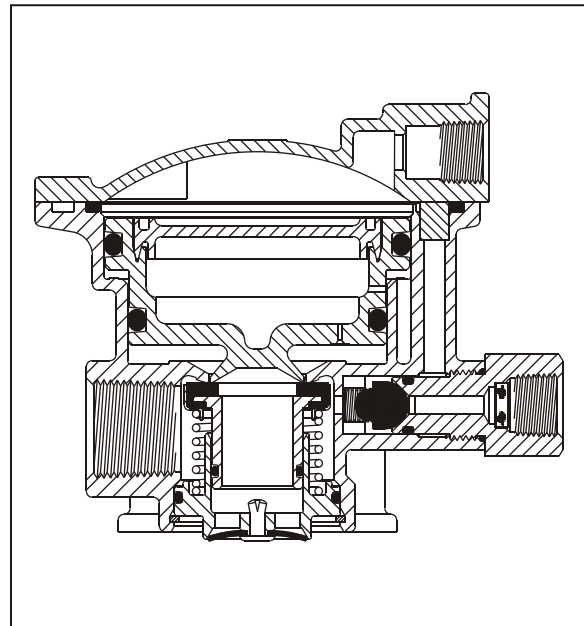
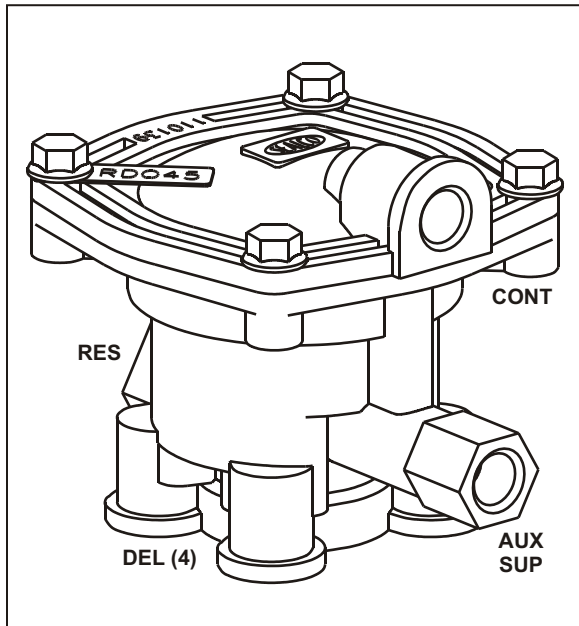


SERVICE RELAY VALVES

Service Relay Valves (4 Delivery Ports)



INFORMATION:

- The Ratio Feature is considered a benefit in hard stop situations & refers to the relationship between the control air pressure to the valve & the delivered air pressure from the valve to the service brake chambers. During normal stopping a 1:1 ratio exists between the control & delivered air pressures. In a hard stop the ratio momentarily changes to 1:1.5 until valve lap-off occurs & the 1:1 ratio is restored. This change takes place in less than 1/100th of a second.
- Do not use ratio feature valves on converter dollies, trailer turnable axles or lift axles
- Mounting Hardware on pages 61 & 62
- Piping examples on page 74
- **PLUG UNIT ASSEMBLIES 110143 & 110583**
- **MINOR PLUG UNIT KIT 110005** • **MAJOR REPAIR KIT 110118**
- **AUXILIARY SUPPLY PORT REPAIR KIT 110673**

PART NUMBER	PORT SIZES (NPT)				RATIO FEATURE	NOMINAL CRACK PRESSURE	PLUG UNIT
	Auxiliary Supply	Control	Reservoir	Delivery			
110139	3/8"	3/8"	3/4"	3/8"	Yes	4.5 psi	110143
110450	3/8"	3/8"	3/4"	3/8"	No	4.5 psi	110143
110575	3/8"	3/8"	3/4"	3/8"	Yes	8.5 psi	n/a
110584	3/8"	3/8"	3/4"	3/8"	Yes	5.5 psi	110583
110600	Capped	3/8"	3/4"	3/8"	Yes	4.5 psi	110143