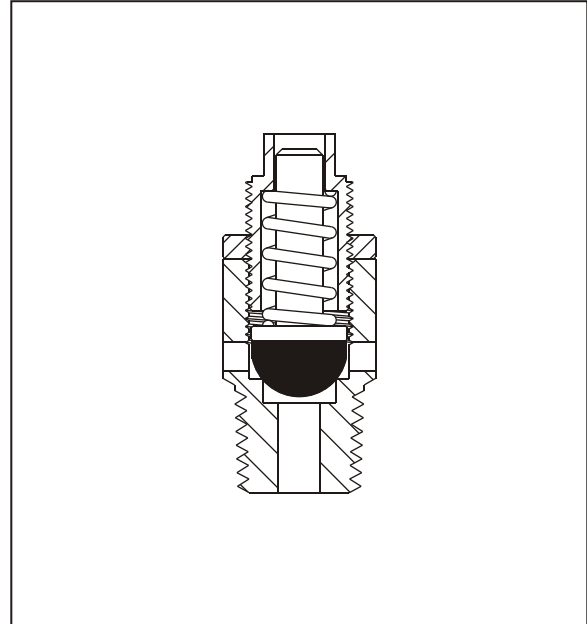
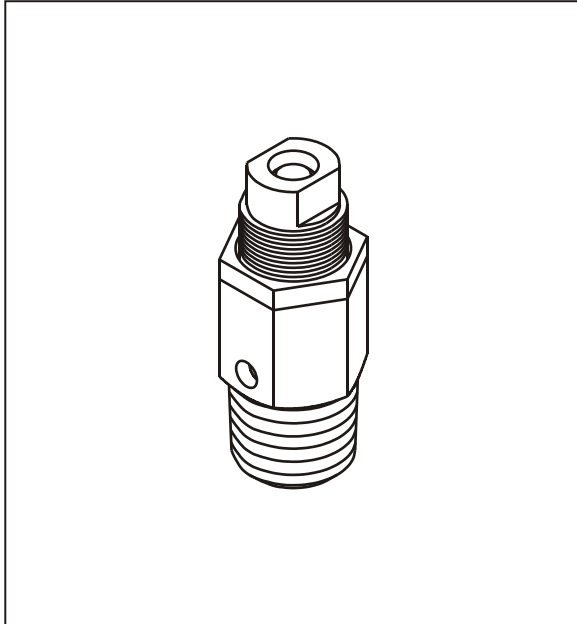


MISCELLANEOUS VALVES

Pressure Relief Valves



INFORMATION:

- Pressure Relief Valves are designed to open at a designated pressure thereby relieving air pressure buildup
- Part numbers 110127 & 110627 are commonly used on truck, tractor or bus air brake system reservoirs in the event that the governor fails to cut-out at the designated air pressure & are normally mounted on the reservoir

PART NUMBER	PORT SIZE	PRESSURE SETTING
110127	1/4"	Factory set at 150 psi
110399	1/4"	Factory set at 55 psi
110527	3/8"	Factory set at 175 psi
110601	1/4"	Factory set at 95 psi
110627	3/8"	Factory set at 150 psi