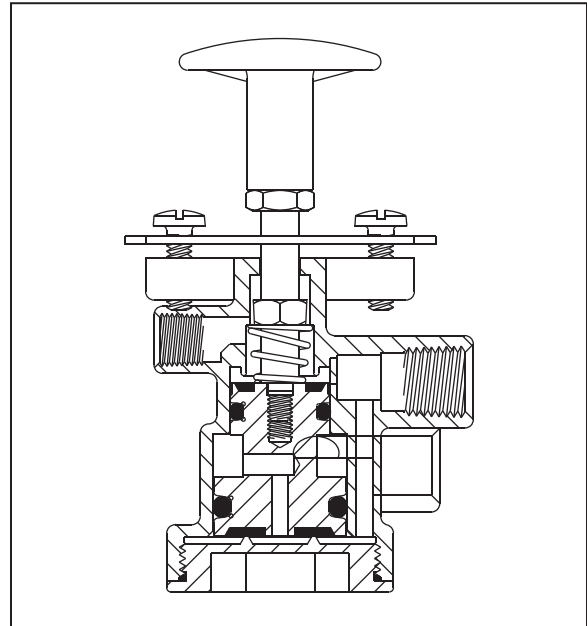
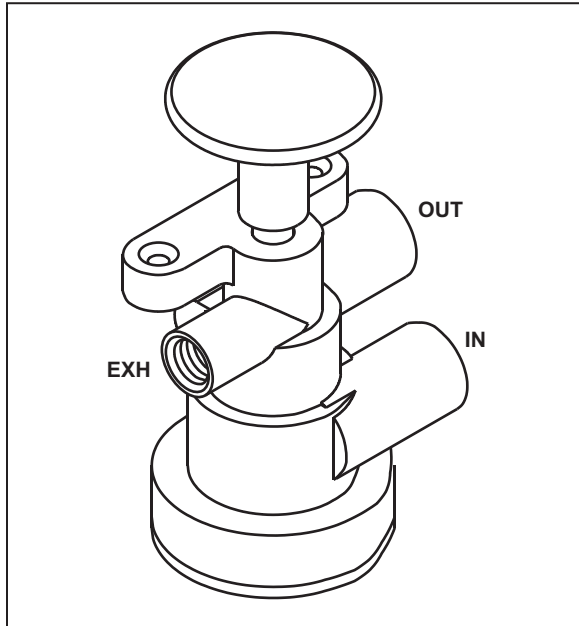


HAND CONTROL VALVES



Automatic Shut-off – Pull-Push Valves (Two Hole Mounting)



INFORMATION:

- Commonly used as dash valve inside tractor or truck
- Automatic shut-off when inlet pressure drops below indicated psi
- Double hole mounting
- **SHUTTLE ASSEMBLY 99600-5**
- **MINOR REPAIR KIT 996-5**



KNOB 13(BLACK PLASTIC)



PLATE 806



PLATE 819

PART NUMBER	NAME PLATE	KNOB	PORT SIZES (NPT)			SHUT-OFF (PSI)
			Inlet	Outlet	Exhaust	
99600	806	13	1/4"	1/4"	1/8"	30 ± 5
99600B	819	13	1/4"	1/4"	1/8"	30 ± 5
99600-2	-	-	1/4"	1/4"	1/8"	30 ± 5
110189	819	13	1/4"	1/4"	1/8"	45 ± 5
110221	819	13	1/4"	1/4"	1/8"	60 ± 5