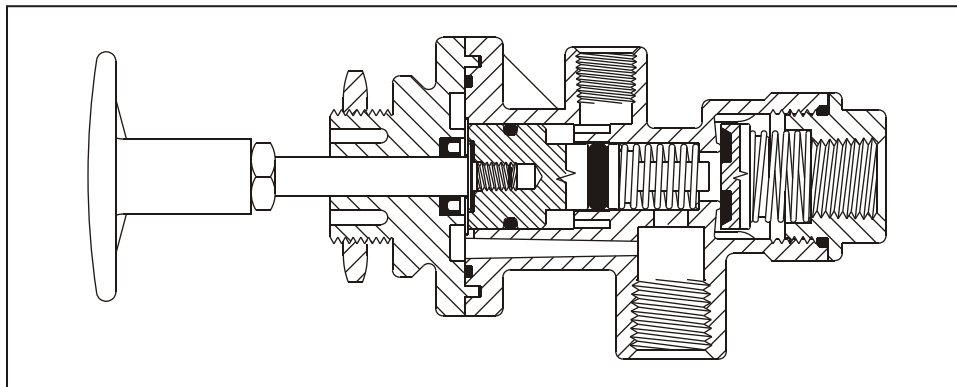
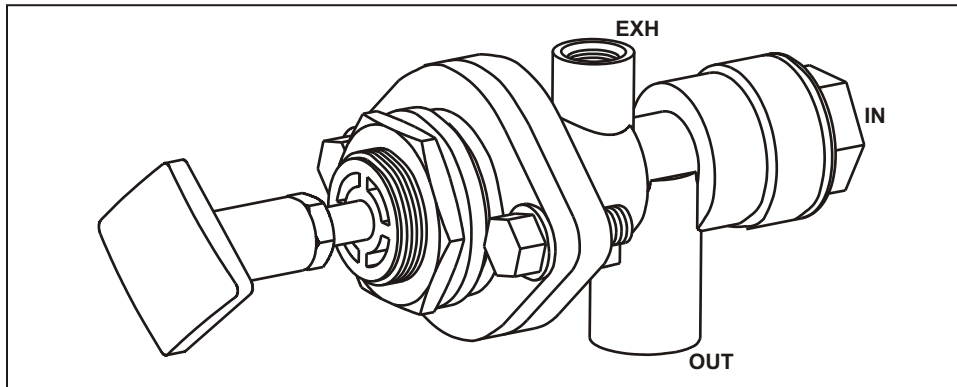


HAND CONTROL VALVES



Automatic Shut-off – Push-Pull Valves (One Hole Mounting)



INFORMATION:

- Commonly used as dash valve inside tractor or truck
- Automatic shut-off when inlet pressure drops to 30 ± 5 PSI
- Single hole mounting
- **REPAIR KIT A256-5**



13-Y(YELLOW)



13-R(RED)

PART NUMBER	KNOB	PORT SIZES (NPT)			SHUT-OFF (PSI)
		Inlet	Outlet	Exhaust	
A25600	13R	1/4"	1/4"	1/8"	30 ± 5
A25600Y	13Y	1/4"	1/4"	1/8"	30 ± 5
A25600-2	-	1/4"	1/4"	1/8"	30 ± 5