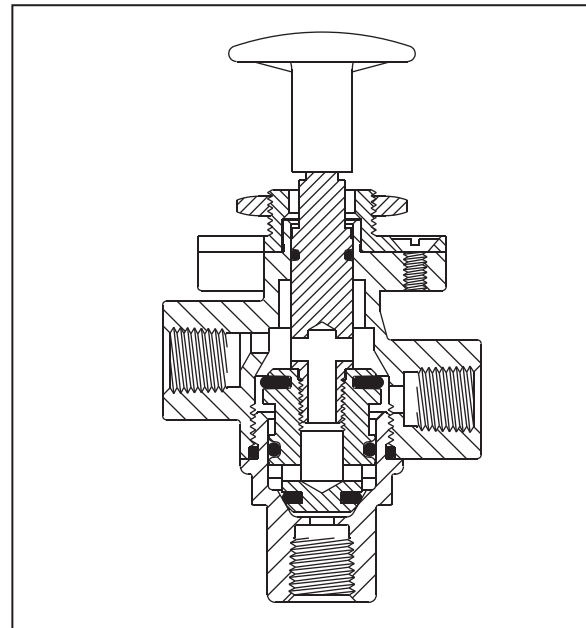
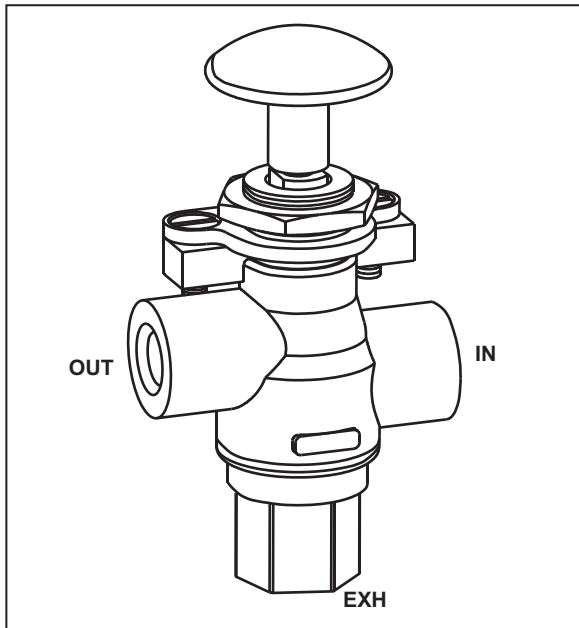


HAND CONTROL VALVES

Manual Push - Pull Valves (One Hole Mounting)



INFORMATION: • Commonly used as dash valve inside tractor, truck or dolly • Single hole mounting

• **REPAIR KIT 176-5**



PLATE 844

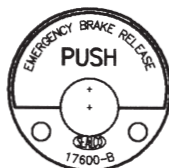


PLATE 8026



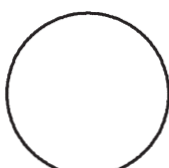
KNOB 13(BLACK PLASTIC)



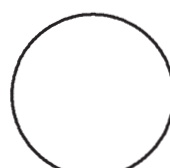
KNOB 13-G(GREEN PLASTIC)



KNOB 13-R(RED PLASTIC)



13-1(BLACK PLASTIC)



KNOB 0190(BLACK METAL)



KNOB 9008(BLACK PLASTIC)

PART NUMBER	NAME PLATE	KNOB	PORT SIZES (NPT)			COMMENTS
			Inlet	Outlet	Exhaust	
17600L	844	13	1/4"	1/4"	1/4"	Cab Control
17600LB	8026	13	1/4"	1/4"	1/4"	Park Brake Release
17600LG	-	13R	1/4"	1/4"	1/4"	Park Brake Release
17600LR	-	13R	1/4"	1/4"	1/4"	Cab Control
110252	-	9008	1/4"	1/4"	1/4"	Park Brake Release
110512	-	13-1	1/4"	1/4"	1/4"	Park Brake Release
110760	-	0190	1/4"	1/4"	1/4"	Park Brake Release