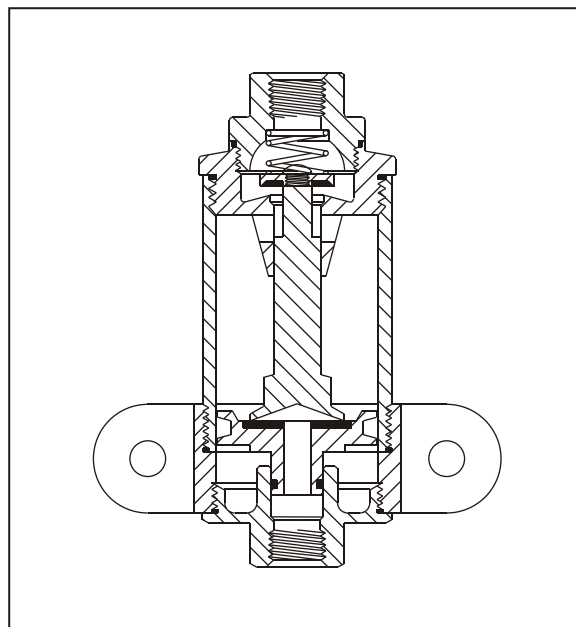
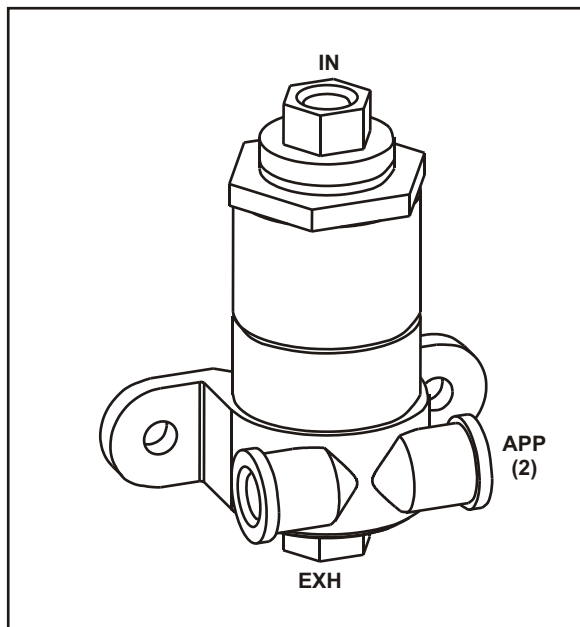


MISCELLANEOUS VALVES

Sludge Remover



INFORMATION:

- When the compressor unloads, the Sludge Remover Valve opens & allows contamination to flow out of the bottom of the reservoir into the Sludge Remover
- As the compressor rebuilds air pressure, the loading line air pressure is lost & the Sludge Remover Valve exhausts the contamination to atmosphere
- Used in tractor and truck applications only
- **PLUG UNIT ASSEMBLY 6300-5**
- **MAJOR REPAIR KIT 663-5**
- **MINOR REPAIR KIT 63-5**
- **HEATER KIT 6300H**

PART NUMBER	PORT SIZES (NPT)		
	Inlet	Exhaust	Application (2)
6300	1/4"	1/4"	1/4"