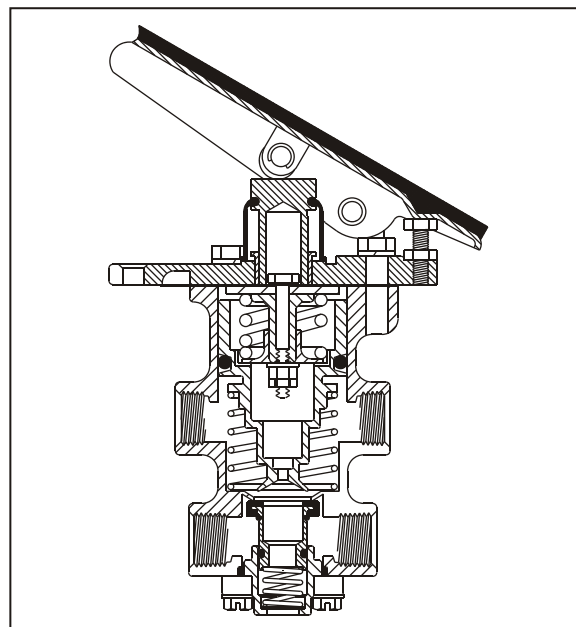
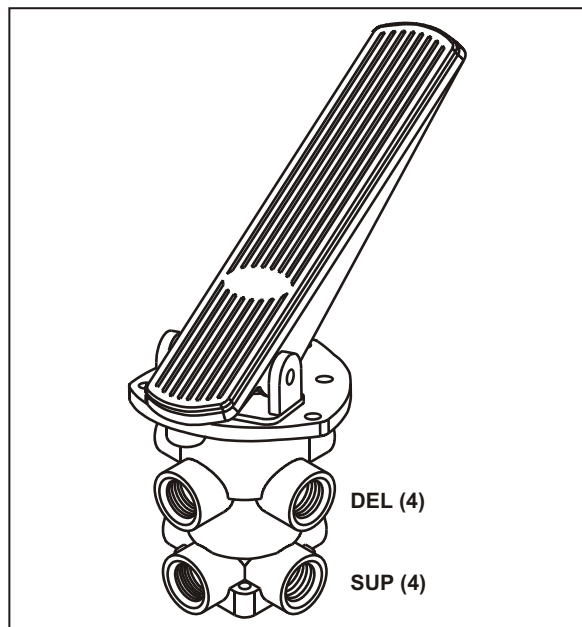


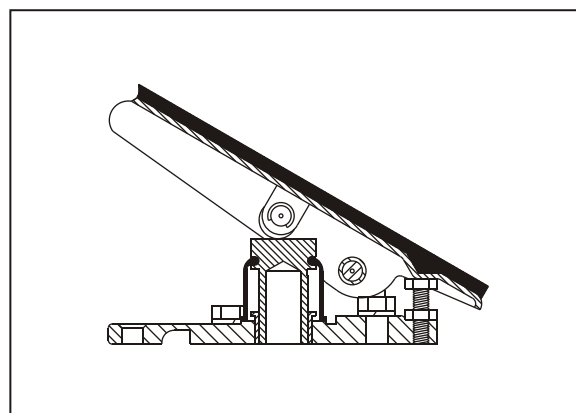
MISCELLANEOUS VALVES

Foot Valves – Single Circuit



INFORMATION:

- Used to apply & release service brakes of tractor, truck & trailer
- **PLUG UNIT ASSEMBLY 6125-5**
- **MINOR REPAIR KIT 912-5**



6125-7 Treadle Base Assembly
Used on both dual & single circuit valves

PART NUMBER	PORT SIZES (NPT)		TREADLE BASE ASSEMBLY	TREADLE ANGLE
	Supply (4)	Delivery (4)		
6125	1/2"	1/2"	6125-7	30°
6125-2	1/2"	1/2"	None	–
6125-25	1/2"	1/2"	6125-7	25°
6125-35	1/2"	1/2"	6125-7	35°
6125-40	1/2"	1/2"	6125-7	40°
6125-45	1/2"	1/2"	6125-7	45°